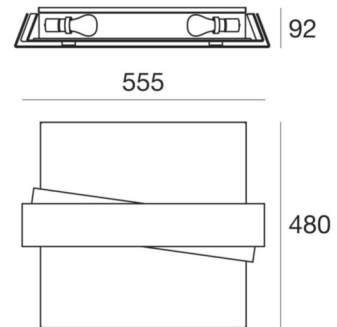




Ceiling Lights | 220-240 V | 4xE27  
7289



Technical data	
Installation position	Wall lights - Ceiling
Installation environment	Indoor
Lamp cap	4 x E27 Max 46W
Frequency	50-60 Hz
Optics	General Lighting
Light emission direction	downward
Safety class	1
IP	IP20
Glow wire test	850°
Direct mounting on normally flammable surfaces	Yes
CE	Yes
ETL	No
Induzione	No
Emergency mode	No
Motion sensor	No
Directional	No
Tilting	No
Walk-over	No
Drive-over	No
Cable included	No
Resin potting	No
Net weight	7.600 Kg

### Finishing casing

Material	Iron
Colour	black
Processing	Coating

### Finishing diffuser

Material	Glass
Colour	white
Processing	Sandblasting

### Finishing mounting frame

Material	Iron
Colour	white
Processing	Coating



Ceiling Lights | 220-240 V | 4xE27  
**7289**

Single emission ceiling lights for indoor application. Compatibility: LED lamp, halogen 46 W, compact fluo 20 W; lamp cap 4xE27.

The device body is made of iron and features a black finish, processed by means of coating; the diffuser is made of glass with a sandblasting treatment; the mounting frame is made of iron, with a white finish, processed by means of coating. The ingress protection degree is IP20; the total weight is of 7.600 kg.

The device features protection class I and can be wall lights or ceiling-mounted.

<b>Illuminotechnical Features</b>	
Luminous flux (source)	2800 lm
Colour temperature	2800 K
Colour rendering index	100 Ra