

ONE INTERNATIONAL PLATES

Technopolymer

MILK WHITE



GW 16 122 TB	2 gang
GW 16 123 TB	2+2 horizontal gang
GW 16 124 TB	2+2 vertical gang
GW 16 125 TB	2+2 vertical gang 57 mm
GW 16 126 TB	2+2+2 horizontal gang
GW 16 127 TB	2+2+2 vertical gang
GW 16 128 TB	2+2+2+2 horizontal gang
GW 16 129 TB	2+2+2+2 vertical gang

IVORY



GW 16 122 TI	2 gang
GW 16 123 TI	2+2 horizontal gang
GW 16 124 TI	2+2 vertical gang
GW 16 126 TI	2+2+2 horizontal gang
GW 16 127 TI	2+2+2 vertical gang
GW 16 128 TI	2+2+2+2 horizontal gang
GW 16 129 TI	2+2+2+2 vertical gang

TITANIUM



GW 16 122 VT	2 gang
GW 16 123 VT	2+2 horizontal gang
GW 16 124 VT	2+2 vertical gang
GW 16 126 VT	2+2+2 horizontal gang
GW 16 127 VT	2+2+2 vertical gang
GW 16 128 VT	2+2+2+2 horizontal gang
GW 16 129 VT	2+2+2+2 vertical gang

TONER BLACK



GW 16 122 TN	2 gang
GW 16 123 TN	2+2 horizontal gang
GW 16 124 TN	2+2 vertical gang
GW 16 126 TN	2+2+2 horizontal gang
GW 16 127 TN	2+2+2 vertical gang
GW 16 128 TN	2+2+2+2 horizontal gang
GW 16 129 TN	2+2+2+2 vertical gang

HEMP



GW 16 122 TC	2 gang
GW 16 123 TC	2+2 horizontal gang
GW 16 124 TC	2+2 vertical gang
GW 16 126 TC	2+2+2 horizontal gang
GW 16 127 TC	2+2+2 vertical gang
GW 16 128 TC	2+2+2+2 horizontal gang
GW 16 129 TC	2+2+2+2 vertical gang

SLATE



GW 16 122 VA	2 gang
GW 16 123 VA	2+2 horizontal gang
GW 16 124 VA	2+2 vertical gang
GW 16 126 VA	2+2+2 horizontal gang
GW 16 127 VA	2+2+2 vertical gang
GW 16 128 VA	2+2+2+2 horizontal gang
GW 16 129 VA	2+2+2+2 vertical gang

Painted technopolymer

ONE INTERNATIONAL PLATES

Metallised technopolymer

CHROME



GW 16 122 MC	2 gang
GW 16 123 MC	2+2 horizontal gang
GW 16 124 MC	2+2 vertical gang
GW 16 126 MC	2+2+2 horizontal gang
GW 16 127 MC	2+2+2 vertical gang
GW 16 128 MC	2+2+2+2 horizontal gang
GW 16 129 MC	2+2+2+2 vertical gang

GOLD



GW 16 122 MO	2 gang
GW 16 123 MO	2+2 horizontal gang
GW 16 124 MO	2+2 vertical gang
GW 16 126 MO	2+2+2 horizontal gang
GW 16 127 MO	2+2+2 vertical gang
GW 16 128 MO	2+2+2+2 horizontal gang
GW 16 129 MO	2+2+2+2 vertical gang

Painted technopolymer - Pastel colours

RUBY

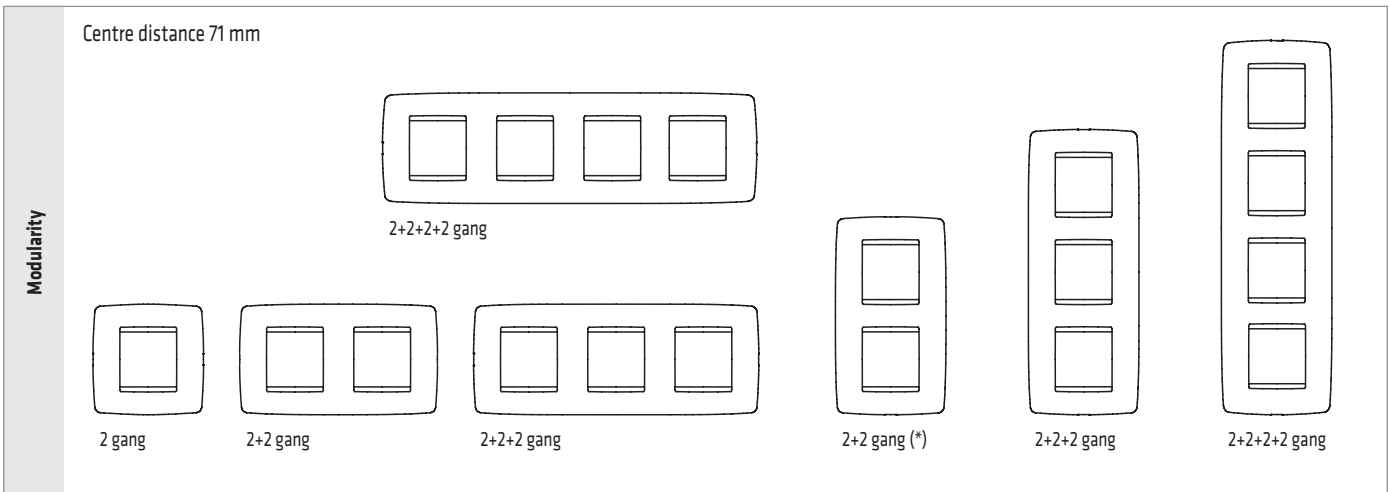


GW 16 122 VR	2 gang
GW 16 123 VR	2+2 horizontal gang
GW 16 124 VR	2+2 vertical gang
GW 16 126 VR	2+2+2 horizontal gang
GW 16 127 VR	2+2+2 vertical gang
GW 16 128 VR	2+2+2+2 horizontal gang
GW 16 129 VR	2+2+2+2 vertical gang

SEA BLUE



GW 16 122 VB	2 gang
GW 16 123 VB	2+2 horizontal gang
GW 16 124 VB	2+2 vertical gang
GW 16 126 VB	2+2+2 horizontal gang
GW 16 127 VB	2+2+2 vertical gang
GW 16 128 VB	2+2+2+2 horizontal gang
GW 16 129 VB	2+2+2+2 vertical gang



(*) Available also with centre distance 57 mm (only milk white)

Chorus

Plates and modular devices

Innovative domestic range characterised by an extensive choice of materials, forms and finishes, to meet each and every requirement. Six different forms of plates (ONE, GEO, LUX, ART, ICE, ICE TOUCH) in different colours and materials, with modular devices in four colours (glossy white, glossy ivory, satin black, varnished titanium) and four different sizes (1/2, 1, 2, 3 modules). Available for flush-mounting and surface-mounting installations, the range can be integrated with the KNX domotic system.



Technical characteristics page 229

ONE INTERNATIONAL PLATES

TECHNOPOLYMER



GW 16 122 TB

ONE INTERNATIONAL - MILK WHITE

Code	Description	Type	Centre distance	Pack Carton
GW 16 122 TB	2 gang			12
GW 16 123 TB	2+2 gang	Horizontal	71 mm	12
GW 16 124 TB	2+2 gang	Vertical	71 mm	12
GW 16 125 TB	2+2 gang	Vertical	57 mm	12
GW 16 126 TB	2+2+2 gang	Horizontal	71 mm	6
GW 16 127 TB	2+2+2 gang	Vertical	71 mm	6
GW 16 128 TB	2+2+2+2 gang	Horizontal	71 mm	1
GW 16 129 TB	2+2+2+2 gang	Vertical	71 mm	1

CHARACTERISTICS: glossy finish. GW16125TB to be used with the GW24282PM box; for the installation use nr. 2 supports GW16822 vertically coupled by breaking the wings located on the contact side on both supports.



GW 16 122 TN

ONE INTERNATIONAL - TONER BLACK

Code	Description	Type	Centre distance	Pack Carton
GW 16 122 TN	2 gang			12
GW 16 123 TN	2+2 gang	Horizontal	71 mm	12
GW 16 124 TN	2+2 gang	Vertical	71 mm	12
GW 16 126 TN	2+2+2 gang	Horizontal	71 mm	6
GW 16 127 TN	2+2+2 gang	Vertical	71 mm	6
GW 16 128 TN	2+2+2+2 gang	Horizontal	71 mm	1
GW 16 129 TN	2+2+2+2 gang	Vertical	71 mm	1

CHARACTERISTICS: glossy finish.



GW 16 122 TI

ONE INTERNATIONAL - IVORY

Code	Description	Type	Centre distance	Pack Carton
GW 16 122 TI	2 gang			12
GW 16 123 TI	2+2 gang	Horizontal	71 mm	12
GW 16 124 TI	2+2 gang	Vertical	71 mm	12
GW 16 126 TI	2+2+2 gang	Horizontal	71 mm	6
GW 16 127 TI	2+2+2 gang	Vertical	71 mm	6
GW 16 128 TI	2+2+2+2 gang	Horizontal	71 mm	1
GW 16 129 TI	2+2+2+2 gang	Vertical	71 mm	1

CHARACTERISTICS: glossy finish.



GW 16 122 TC

ONE INTERNATIONAL - HEMP

Code	Description	Type	Centre distance	Pack Carton
GW 16 122 TC	2 gang			12
GW 16 123 TC	2+2 gang	Horizontal	71 mm	12
GW 16 124 TC	2+2 gang	Vertical	71 mm	12
GW 16 126 TC	2+2+2 gang	Horizontal	71 mm	6
GW 16 127 TC	2+2+2 gang	Vertical	71 mm	6
GW 16 128 TC	2+2+2+2 gang	Horizontal	71 mm	1
GW 16 129 TC	2+2+2+2 gang	Vertical	71 mm	1

CHARACTERISTICS: glossy finish.

PAINTED TECHNOPOLYMER



GW 16 122 VT

ONE INTERNATIONAL - TITANIUM

Code	Description	Type	Centre distance	Pack Carton
GW 16 122 VT	2 gang			12
GW 16 123 VT	2+2 gang	Horizontal	71 mm	12
GW 16 124 VT	2+2 gang	Vertical	71 mm	12
GW 16 126 VT	2+2+2 gang	Horizontal	71 mm	6
GW 16 127 VT	2+2+2 gang	Vertical	71 mm	6
GW 16 128 VT	2+2+2+2 gang	Horizontal	71 mm	1
GW 16 129 VT	2+2+2+2 gang	Vertical	71 mm	1

CHARACTERISTICS: glossy finish.



GW 16 122 VA

ONE INTERNATIONAL - SLATE

Code	Description	Type	Centre distance	Pack Carton
GW 16 122 VA	2 gang			12
GW 16 123 VA	2+2 gang	Horizontal	71 mm	6
GW 16 124 VA	2+2 gang	Vertical	71 mm	6
GW 16 126 VA	2+2+2 gang	Horizontal	71 mm	6
GW 16 127 VA	2+2+2 gang	Vertical	71 mm	6
GW 16 128 VA	2+2+2+2 gang	Horizontal	71 mm	1
GW 16 129 VA	2+2+2+2 gang	Vertical	71 mm	1

CHARACTERISTICS: glossy finish.

METALLISED TECHNOPOLYMER



GW 16 122 MC

ONE INTERNATIONAL - CHROME

Code	Description	Type	Centre distance	Pack Carton
GW 16 122 MC	2 gang			12
GW 16 123 MC	2+2 gang	Horizontal	71 mm	6
GW 16 124 MC	2+2 gang	Vertical	71 mm	6
GW 16 126 MC	2+2+2 gang	Horizontal	71 mm	6
GW 16 127 MC	2+2+2 gang	Vertical	71 mm	6
GW 16 128 MC	2+2+2+2 gang	Horizontal	71 mm	1
GW 16 129 MC	2+2+2+2 gang	Vertical	71 mm	1

CHARACTERISTICS: glossy finish.



GW 16 122 MO

ONE INTERNATIONAL - GOLD

Code	Description	Type	Centre distance	Pack Carton
GW 16 122 MO	2 gang			12
GW 16 123 MO	2+2 gang	Horizontal	71 mm	6
GW 16 124 MO	2+2 gang	Vertical	71 mm	6
GW 16 126 MO	2+2+2 gang	Horizontal	71 mm	6
GW 16 127 MO	2+2+2 gang	Vertical	71 mm	6
GW 16 128 MO	2+2+2+2 gang	Horizontal	71 mm	1
GW 16 129 MO	2+2+2+2 gang	Vertical	71 mm	1

CHARACTERISTICS: glossy finish.

PAINTED TECHNOPOLYMER, PASTEL COLOURS



GW 16 122 VR

ONE INTERNATIONAL - RUBY

Code	Description	Type	Centre distance	Pack Carton
GW 16 122 VR	2 gang			12
GW 16 123 VR	2+2 gang	Horizontal	71 mm	12
GW 16 124 VR	2+2 gang	Vertical	71 mm	12
GW 16 126 VR	2+2+2 gang	Horizontal	71 mm	6
GW 16 127 VR	2+2+2 gang	Vertical	71 mm	6
GW 16 128 VR	2+2+2+2 gang	Horizontal	71 mm	1
GW 16 129 VR	2+2+2+2 gang	Vertical	71 mm	1

CHARACTERISTICS: fabric effect.



GW 16 122 VB

ONE INTERNATIONAL - SEA BLUE

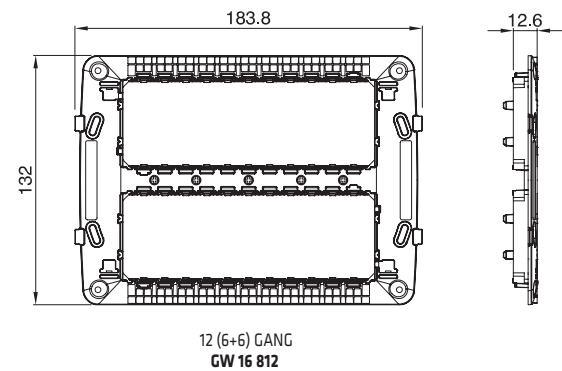
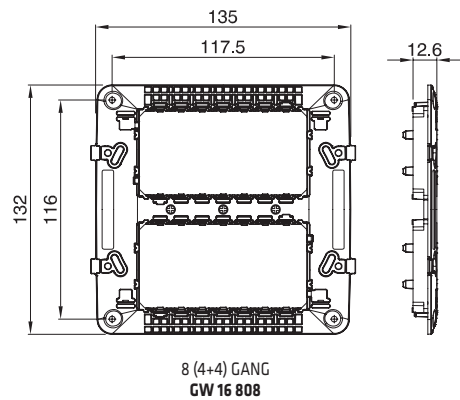
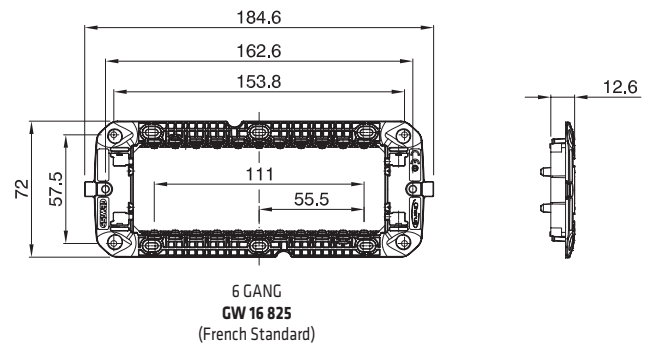
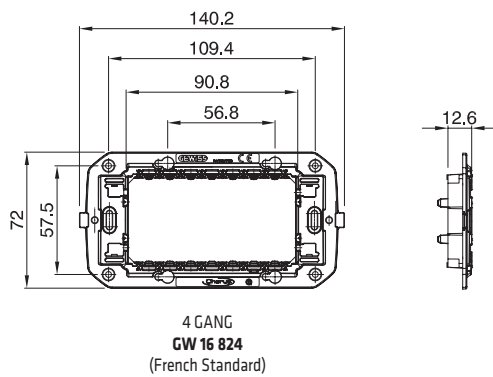
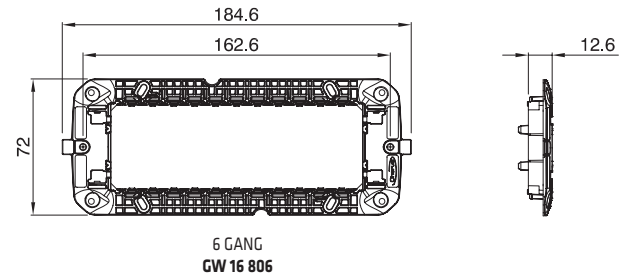
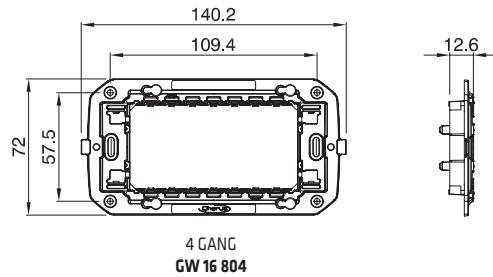
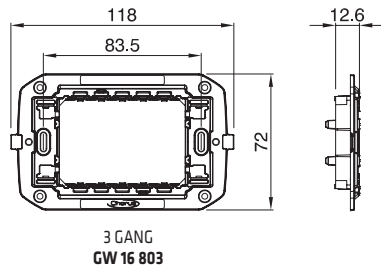
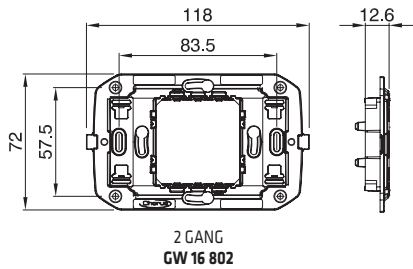
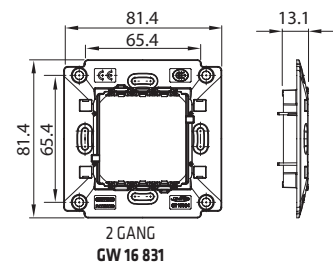
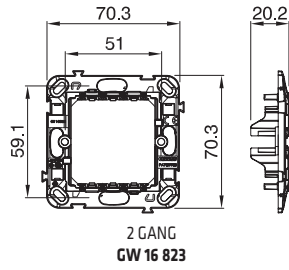
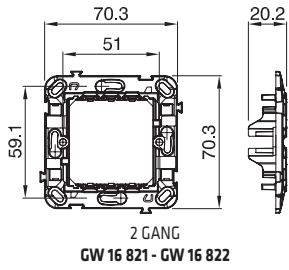
Code	Description	Type	Centre distance	Pack Carton
GW 16 122 VB	2 gang			12
GW 16 123 VB	2+2 gang	Horizontal	71 mm	12
GW 16 124 VB	2+2 gang	Vertical	71 mm	12
GW 16 126 VB	2+2+2 gang	Horizontal	71 mm	6
GW 16 127 VB	2+2+2 gang	Vertical	71 mm	6
GW 16 128 VB	2+2+2+2 gang	Horizontal	71 mm	1
GW 16 129 VB	2+2+2+2 gang	Vertical	71 mm	1

CHARACTERISTICS: fabric effect.

Chorus

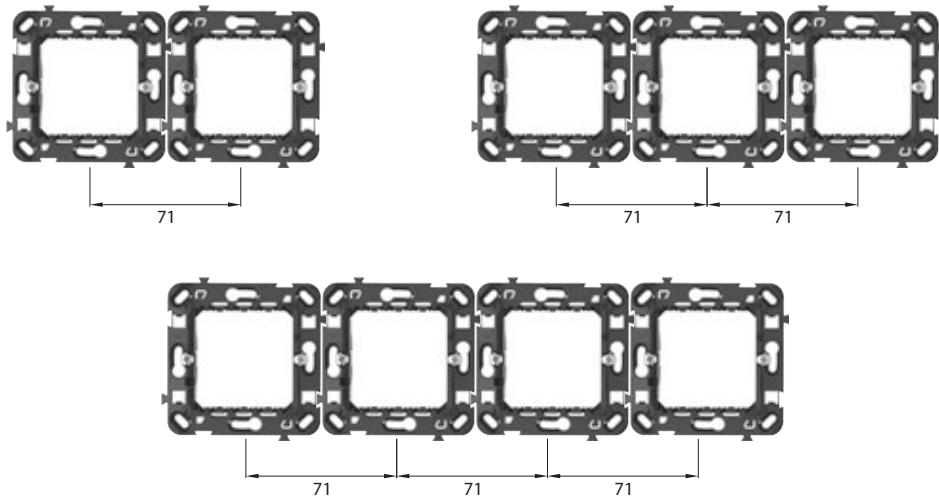
Dimension tables

SUPPORTS

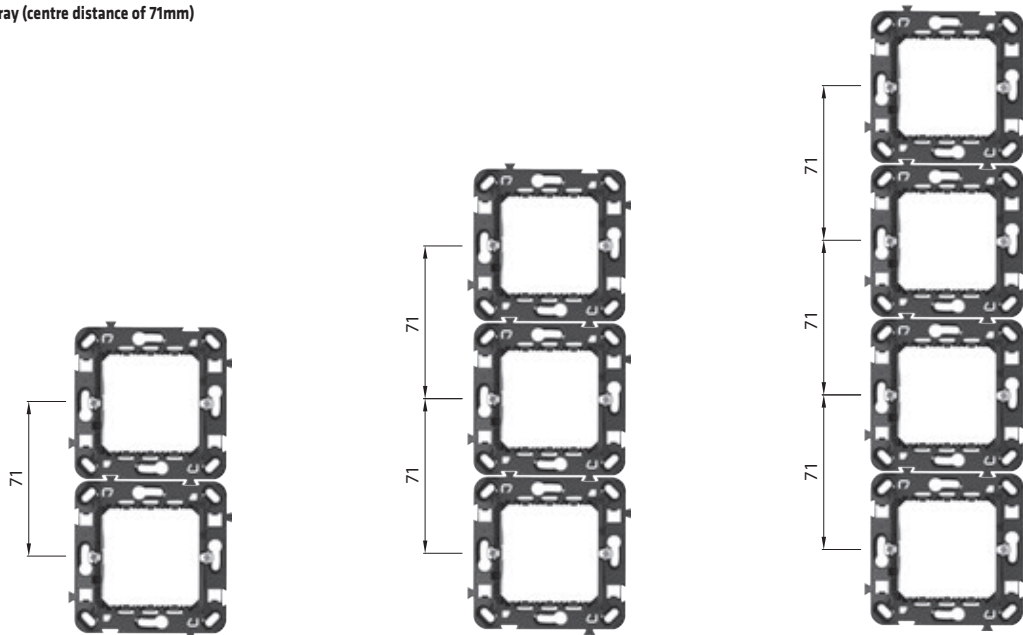


ARRAY OF SUPPORTS FOR INTERNATIONAL PLATES

Horizontal array (centre distance of 71mm)

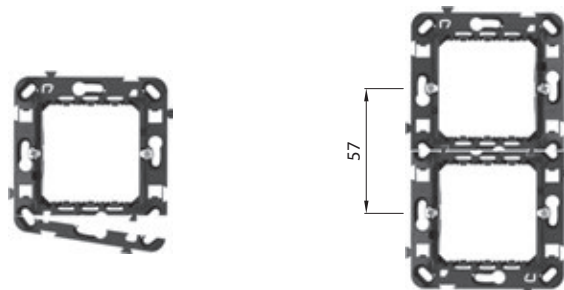


Vertical array (centre distance of 71mm)

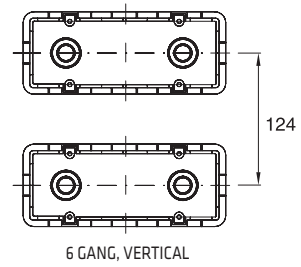
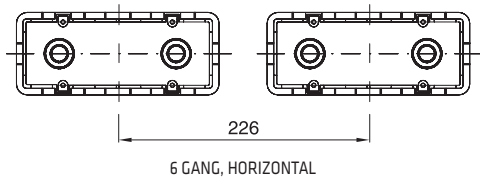
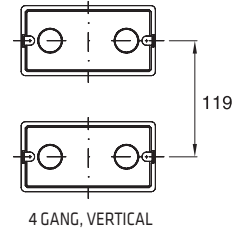
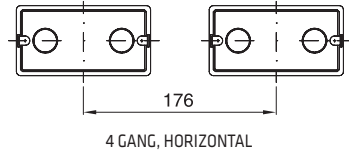
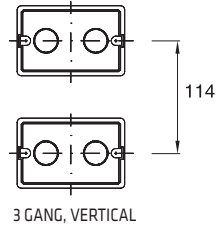
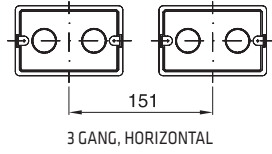


Vertical array (centre distance of 57mm)

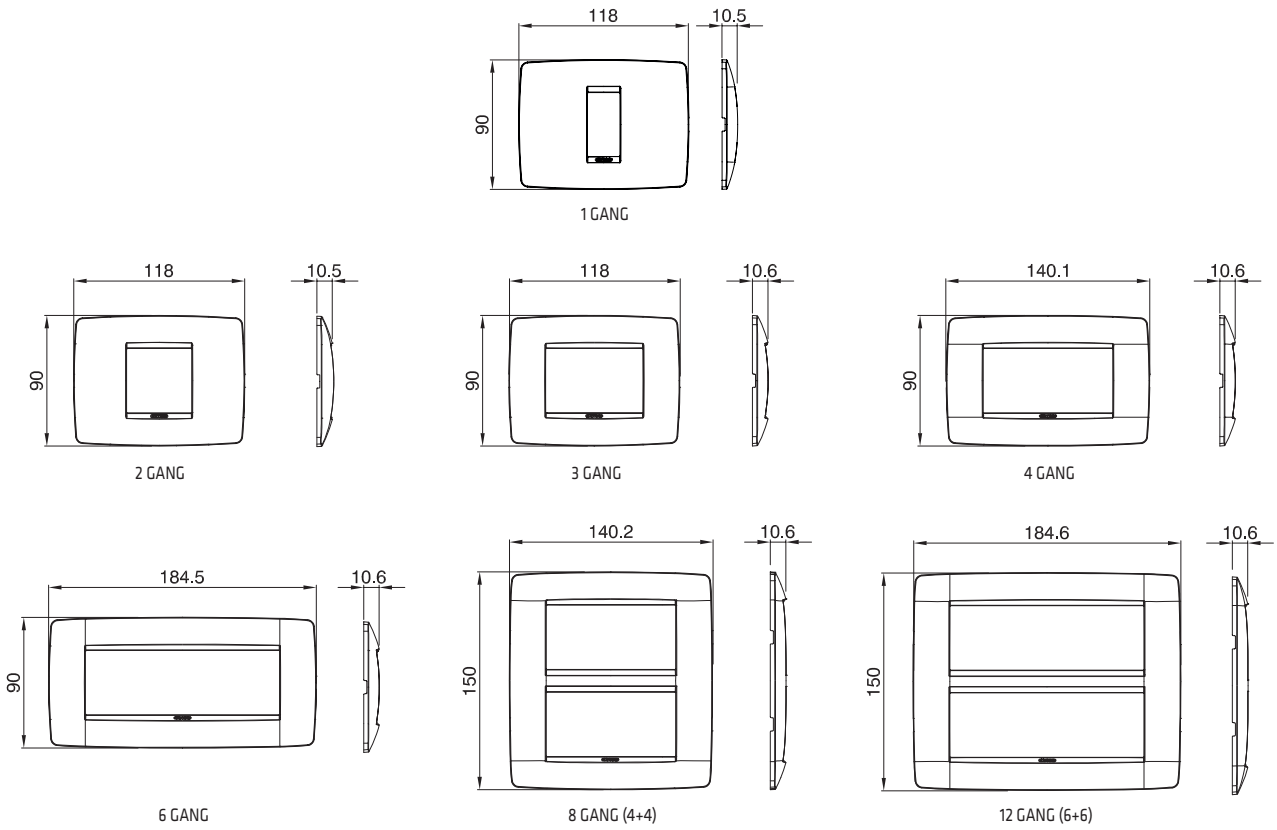
The square supports GW 16 821, GW 16 822, GW 16 823, thank to the knockouts, can be also put side by side with a centre distance of 57mm.



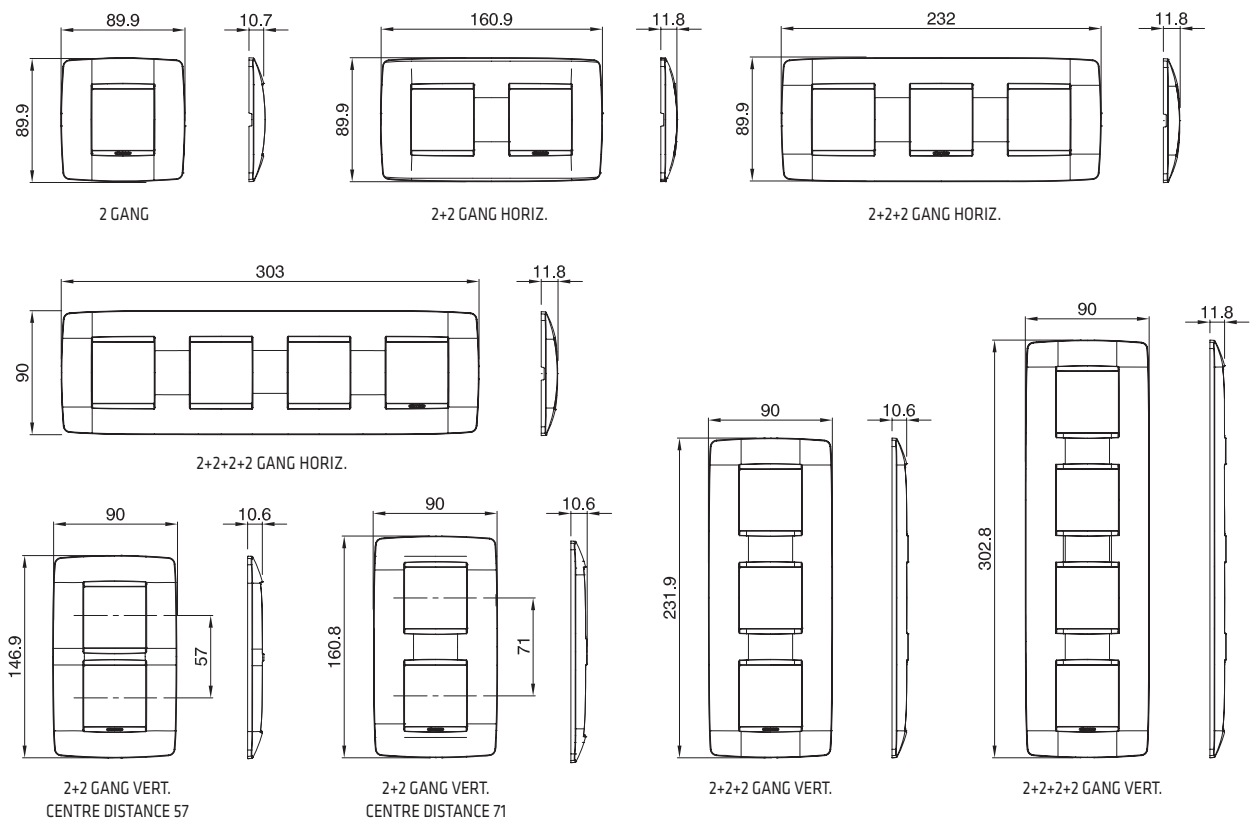
CENTRE DISTANCE OF BOXES FOR THE CORRECT FIXING OF THE CHORUS ONE, GEO, LUX AND ART PLATES (MINIMUM RECOMMENDED DISTANCES)



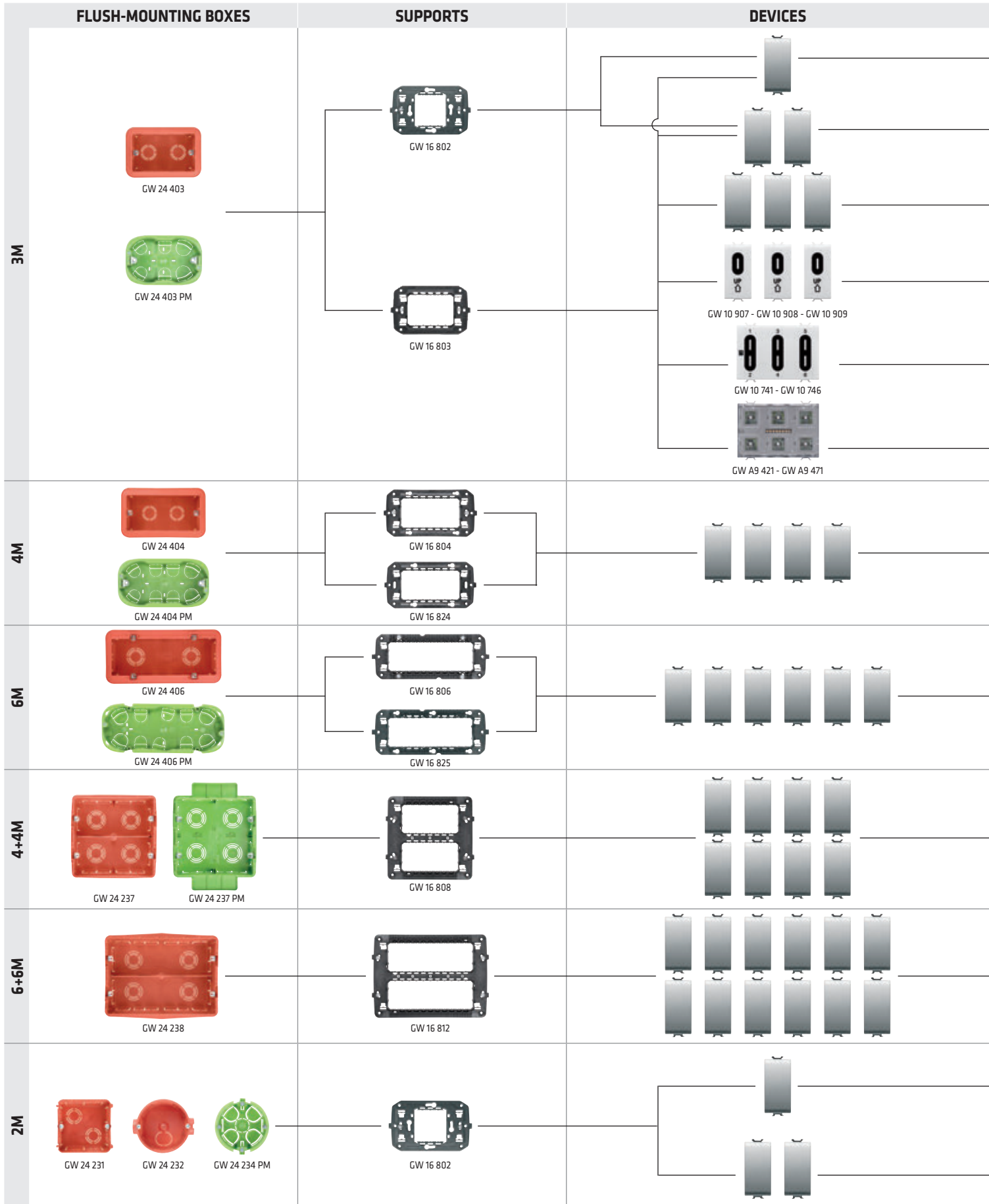
ONE PLATES



ONE INTERNATIONAL PLATES



Chorus



PLATES



GW 16 101 xx



GW 16 401 xx



GW 16 102 xx



GW 16 402 xx



GW 16 202 xx



GW 16 302 xx



GW 16 103 xx



GW 16 403 xx



GW 16 203 xx



GW 16 303 xx



GW 16 903 xx



GW 16 951 xx



GW 16 952 xx



GW 16 953 xx



GW 16 962 xx



GW 16 964 xx



GW 16 966 xx

ICE TOUCH KNX (for push-button panel modules with interchangeable icons)



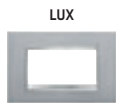
GW 16 946 xx



GW 16 104 xx



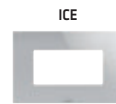
GW 16 404 xx



GW 16 204 xx



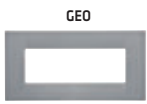
GW 16 304 xx



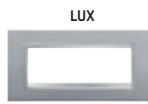
GW 16 904 xx



GW 16 106 xx



GW 16 406 xx



GW 16 206 xx



GW 16 108 xx



GW 16 112 xx



GW 16 101 xx



GW 16 401 xx



GW 16 102 xx



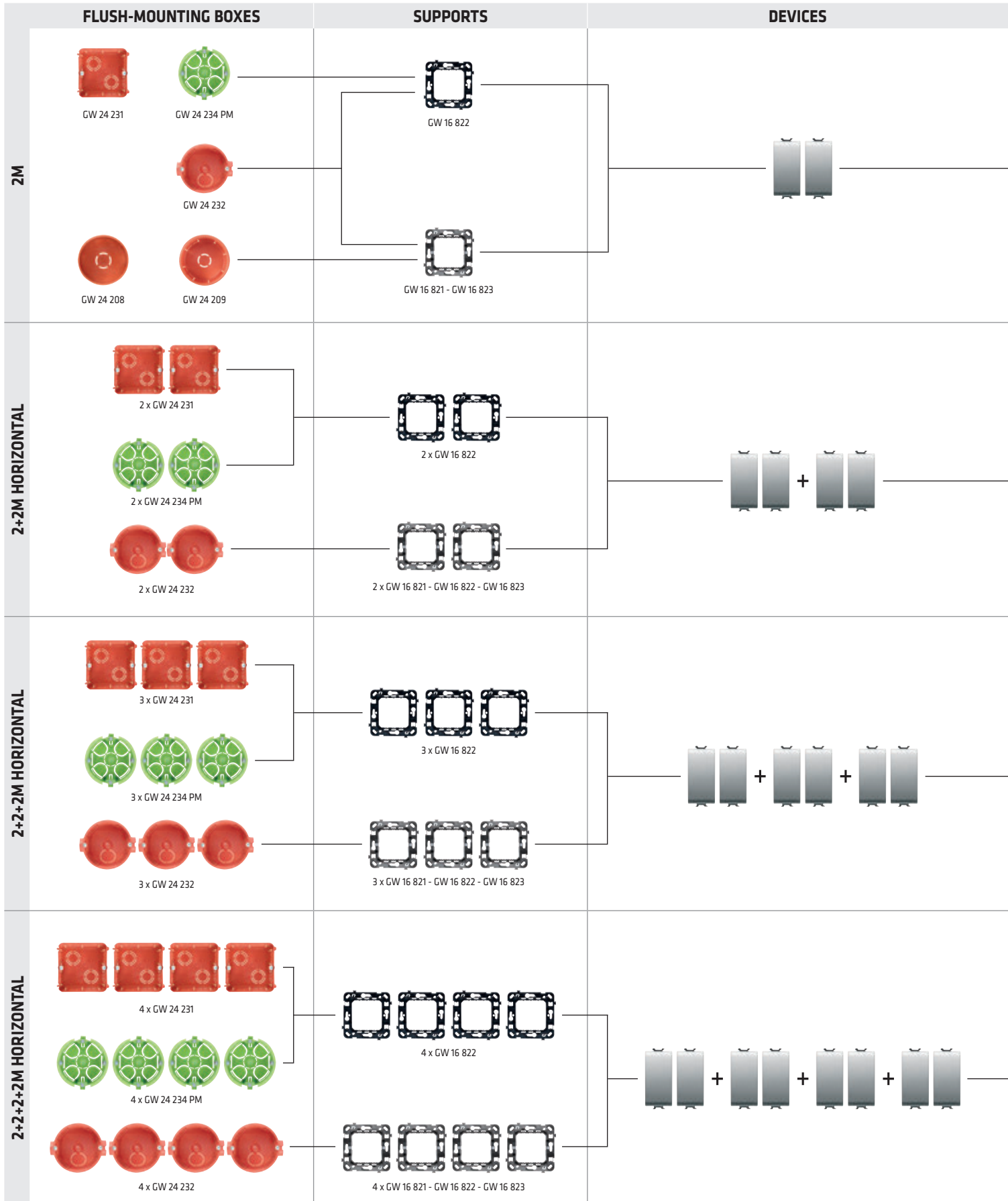
GW 16 402 xx



GW 16 202 xx



GW 16 302 xx



PLATES

**ONE
INTERNATIONAL**



GW 16 122 xx

**GEO
INTERNATIONAL**



GW 16 422 xx

**LUX
INTERNATIONAL**



GW 16 222 xx

**ONE
INTERNATIONAL**



GW 16 123 xx

**GEO
INTERNATIONAL**



GW 16 423 xx

**LUX
INTERNATIONAL**



GW 16 223 xx

**ONE
INTERNATIONAL**



GW 16 126 xx

**GEO
INTERNATIONAL**



GW 16 426 xx

**LUX
INTERNATIONAL**



GW 16 226 xx

**ONE
INTERNATIONAL**




GW 16 128 xx

**LUX
INTERNATIONAL**



GW 16 228 xx

	FLUSH-MOUNTING BOXES	SUPPORTS	DEVICES
2+2M VERTICAL 57MM	 <p>GW 24 282 PM</p>	 <p>2 x GW 16 822 (*)</p> <p><i>(*) Couple two supports GW 16 822 vertically by breaking off the removable wings on each one.</i></p>	
2+2M VERTICAL	 <p>2 x GW 24 231</p>  <p>2 x GW 24 234 PM</p>  <p>2 x GW 24 232</p>	 <p>2 x GW 16 822</p>  <p>2 x GW 16 821 - GW 16 822 - GW 16 823</p>	
2+2+2M VERTICAL	 <p>3 x GW 24 231</p>  <p>3 x GW 24 234 PM</p>  <p>3 x GW 24 232</p>	 <p>3 x GW 16 822</p>  <p>3 x GW 16 821 - GW 16 822 - GW 16 823</p>	
2+2+2+2M VERTICAL	 <p>4 x GW 24 231</p>  <p>4 x GW 24 234 PM</p>  <p>4 x GW 24 232</p>	 <p>4 x GW 16 822</p>  <p>4 x GW 16 821 - GW 16 822 - GW 16 823</p>	

PLATES

**ONE
INTERNATIONAL**



GW 16 125 TB

**LUX
INTERNATIONAL**



GW 16 225 TB

**ONE
INTERNATIONAL**



GW 16 124 xx

**GEO
INTERNATIONAL**



GW 16 424 xx

**LUX
INTERNATIONAL**



GW 16 224 xx

**ONE
INTERNATIONAL**



GW 16 127 xx

**GEO
INTERNATIONAL**



GW 16 427 xx

**LUX
INTERNATIONAL**



GW 16 227 xx

**ONE
INTERNATIONAL**



GW 16 129 xx

**LUX
INTERNATIONAL**



GW 16 229 xx