



Product code	Colour
738-610-21	Mat white
738-610-52	Silver, on demand
738-610-16	Black

General Specifications

Product type	: Spotlights
Mounting type	: LKM 3-phase track
Description	: DRIM LED is a spotlight for electrified tracks, specially developed for LED COB of the last generation. Body and brackets in die-cast aluminium. Gear box in thermoplastic material. It can rotate up to 355° with respect to the horizontal axis and pivot up to 45° upwards and 90° downwards.

Indoor/outdoor lights	: Indoor
Applications	: Museums, Retail, Shopping centres, Showrooms

Lighting specifications

Average lamp life (h)	: 50.000
Lamp description	: LED 4250lm 33W 3000K
Nominal lumens on thermal regime	: 4250
Efficiency L.O.R. (%)	: 88,8
Delivered lumens (lm)	: 3774
Lamp wattage (W)	: 33
Color temperature (K)	: 3000

Physical Specifications

Body	: Die-cast aluminium
Finishes	: Polyester painted
Reflector	: Mirror-metallized thermoplastic material

Electrical Specifications

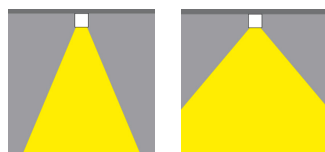
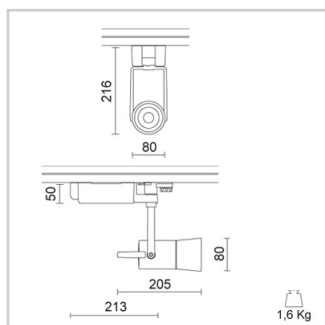
Glow wire (°C)	: 850
Driver	: Included
Driver mounting	: Integrated
Voltage (V)	: 220/240
Frequency (Hz)	: 50/60

Weight and Dimensions

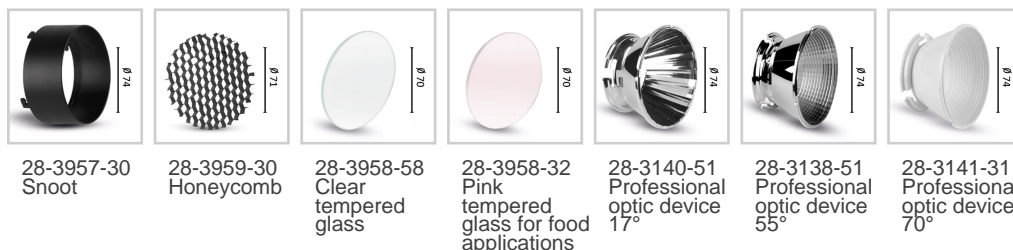
Length (mm)	: 205
Height (mm)	: 216
Weight (Kg)	: 1.6


Optical Specifications

Light distribution	: Symmetric
Light emission	: Direct
Light beam	: 30°
Note	: Honeycomb code 28-3959-30, pink tempered glass for food applications code 28-3958-58, closing screen cod. 28-3958-58 to be used only together with snoot code 28-3957-30. 17°, 55° (mirror metallized), 70° (white) optics are available on demand



Accessories



Lamps	Lamp categories	Lamp type	Lamp wattage (W)	Nominal lumens on thermal regime (lm)	Color rendering (CRI)
	LED	COB LED	33	4250	85

Pictures and Applications

