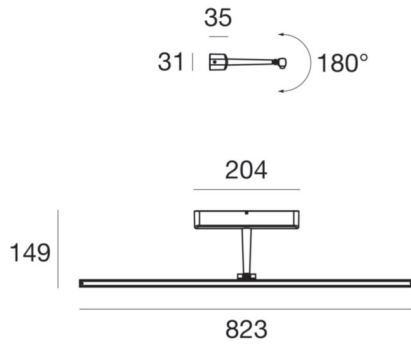


# Straight\_W



Wall Lights | 220-240 V | topLED 19 W 1000 mA | CRI 90  
8209



Technical data	
Type	Surface
Installation position	Wall lights
Installation environment	Indoor
Light Source	LED
Optics	General Lighting
Light emission direction	downward
Power	19 W
Source lumens	2080 lm
Frequency	60 - 50 Hz
CCT / Tone	2700 K
Colour rendering index	90 Ra
AC / DC	AC
Safety class	2
IP	IP44
Glow wire test	850°
Direct mounting on normally flammable surfaces	Yes
CE	Yes
ETL	No
Fire Rated (BS 476 PT21 compliant)	No
Driver included	Driver
Induction	No
Emergency mode	No
Motion sensor	No
Directional	Swivelling
total angle (horizontal plane)	180 °
Tilting	No
Walk-over	No
Drive-over	No
Cable included	No
Resin potting	No
Type of light emission	Double emission
Net weight	0.330 Kg

Finishing casing	
Material	Aluminium
Colour	embossed white RAL 9003
Processing	Coating

Finishing diffuser	
Material	PC
Colour	opaline

Finishing mounting frame	
Material	ABS
Colour	embossed white RAL 9003

Wall Lights | 220-240 V | topLED 19 W 1000 mA | CRI 90  
8209

Double emission wall lights for indoor application. The warm white LED light source with a general lighting light distribution is composed of 40 topped LEDs with CCT of 2700 K and a CRI 90; the source luminous flux is 2080 lm, with a 109.5 lm/W nominal luminous efficacy.

The device body is made of aluminium and features a embossed white ral 9003 finish, processed by means of coating; the diffuser is made of PC; the mounting frame is made of ABS, with a embossed white ral 9003 finish. The ingress protection degree is IP44; the total weight is of 0.330 kg.

The total absorbed power is 19 W.

The device features protection class II and can be wall lights-mounted.

Compliant with the EN 60598-1 standard and its specific provisions.

### Illuminotechnical Features

Light Output Ratio (LOR)	36 %
Source lumens	2080 lm
Delivered lumens	756 lm
Consumption	19 W
Luminaire efficacy	39 lm/W
Colour temperature	2700 K
Standard Deviation of Colour Matching	3 Step MacAdam
Colour rendering index	90 Ra

### LED Life / Failure Ratio

L80 B20 C0 80000h
-------------------

### UGR

X=4H   Y=8H	S=0.25H
Reflection factor	70/50/20
UGR transversal	< 16
UGR axial	< 19

### OPTICAL

Light distribution simmetry	Asymmetrical
C0/C180 optics	148°
C90/C270 optics	129°

