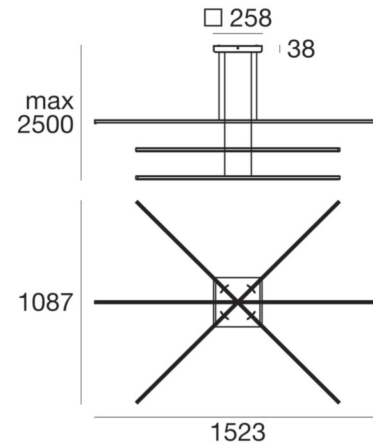
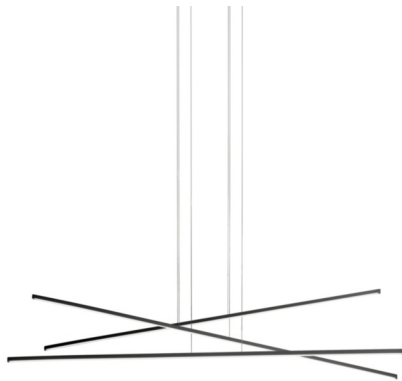


Straight_P3



Pendant Luminaires | 220-240 V | topLED 49 W 1050 mA | CRI 90
8207



Technical data	
Type	Surface
Installation position	Ceiling
Installation environment	Indoor
Light Source	LED
Optics	General Lighting
Light emission direction	downward
Power	49 W
Source lumens	6836 lm
Frequency	60 - 50 Hz
CCT / Tone	2700 K
Colour rendering index	90 Ra
AC / DC	AC
Safety class	1
IP	IP20
Glow wire test	850°
Direct mounting on normally flammable surfaces	Yes
CE	Yes
ETL	No
Fire Rated (BS 476 PT21 compliant)	No
Driver included	Driver
Induction	No
Emergency mode	No
Motion sensor	No
Directional	No
Tilting	No
Walk-over	No
Drive-over	No
Cable included	No
Resin potting	No
Type of light emission	Single emission
Net weight	0.943 Kg

Finishing casing	
Material	Aluminium
Colour	black RAL 9005
Processing	Coating

Finishing diffuser	
Material	PC
Colour	opaline

Finishing mounting frame	
Material	Iron
Colour	black RAL 9005
Processing	Coating

Straight_P3



Pendant Luminaires | 220-240 V | topLED 49 W 1050 mA | CRI 90
8207

Single emission pendant luminaires for indoor application. The warm white LED light source with a general lighting light distribution is composed of 150 topLED LEDs with CCT of 2700 K and a CRI 90; the source luminous flux is 6836 lm, with a 139.5 lm/W nominal luminous efficacy.

The device body is made of aluminium and features a black ral 9005 finish, processed by means of coating; the diffuser is made of PC; the mounting frame is made of iron, with a black ral 9005 finish, processed by means of coating. The ingress protection degree is IP20; the total weight is of 0.943 kg.

The total absorbed power is 49 W.

The device features protection class I and can be ceiling-mounted.

Compliant with the EN 60598-1 standard and its specific provisions.

Illuminotechnical Features

Light Output Ratio (LOR)	34 %
Source lumens	6836 lm
Delivered lumens	2348 lm
Consumption	49 W
Luminaire efficacy	47 lm/W
Colour temperature	2700 K
Standard Deviation of Colour Matching	3 Step MacAdam
Colour rendering index	90 Ra

LED Life / Failure Ratio

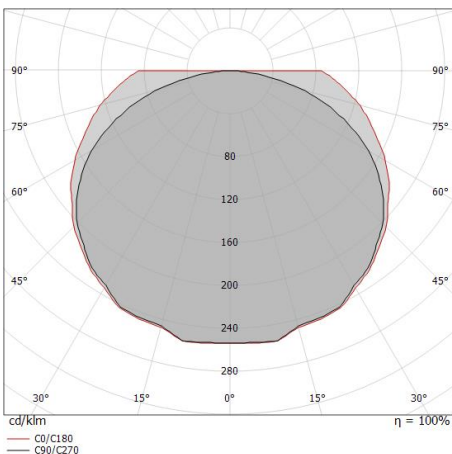
L80 B20 C0 80000h

UGR

X=4H Y=8H	S=0.25H
Reflection factor	70/50/20
UGR transversal	< 16
UGR axial	< 19

OPTICAL

Light distribution simmetry	Asymmetrical
C0/C180 optics	148°
C90/C270 optics	129°



Distance [m]	Cone diameter [m]	Illuminance [lx]	E(0°)	E(C90)	E(C0)
0.5	2.09 3.51	2381 97 25	64.4°	74.1°	25
1.0	4.17 7.02	595 24 6	64.4°	74.1°	6
1.5	6.26 10.53	265 11 3	64.4°	74.1°	3
2.0	8.35 14.04	149 6 2	64.4°	74.1°	2
2.5	10.44 17.55	95 4 1	64.4°	74.1°	1
3.0	12.52 21.06	66 3 1	64.4°	74.1°	1

Distance [m] Cone diameter [m] Illuminance [lx]

— C0/C180 (Half-peak divergence: 148.2°)
— C90/C270 (Half-peak divergence: 128.8°)