



## KYCLOS 6400LM DALI ON DEMAND

Design: Enrico Davide Bona and Elisa Nobile



Product code	Colour
725-861-21	Mat white, on demand
725-861-16	Black, on demand

### General Specifications

Product type	: Spotlights
Mounting type	: DKM dimmable track
Description	: Kyclos is a spotlight for electrified tracks, specially developed for LED COB sources of the last generation. Front part in clear polycarbonate, rear painted for an innovative bright effect, without visible screws. The DALI spotlights are available on demand, provided with a special adapter. They only fit with Ivela DKM electrified tracks. Accessoried with optics for other beams.

Indoor/outdoor lights	: Indoor
Applications	: Art-galleries, Museums, Retail, Showrooms

### Lighting specifications

Average lamp life (h)	: 50.000
Lamp description	: LED 6400lm 51W 3000K
Nominal lumens on thermal regime	: 6400
Efficiency L.O.R. (%)	: 85,3
Delivered lumens (lm)	: 5459
Lamp wattage (W)	: 51
Color temperature (K)	: 3000

### Physical Specifications

Body	: Die-cast aluminium
Finishes	: Polyester painted
Reflector	: Mirror-metallized thermoplastic material
Thermal Dissipation	: Passive

### Electrical Specifications

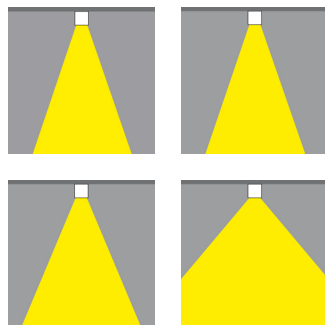
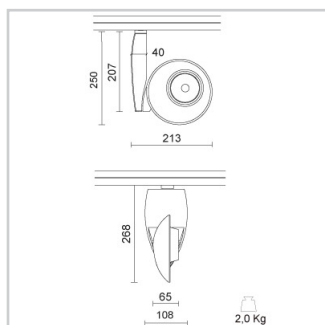
Dimmable	: DALI
Glow wire (°C)	: 850
Driver	: Included
Driver mounting	: Integrated
Voltage (V)	: 220/240
Frequency (Hz)	: 50/60

### Weight and Dimensions

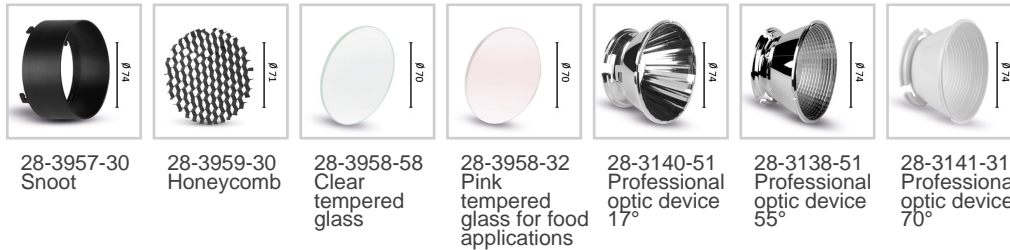
Width (mm)	: 213
Height (mm)	: 250
Weight (Kg)	: 2


### Optical Specifications

Light distribution	: Symmetric
Light emission	: Direct
Light beam	: 30°
Horizontal orientation	: 350°
Vertical tilt	: 350°
Note	: Honeycomb code 28-3959-30, pink tempered glass for food applications code 28-3958-58, closing screen cod. 28-3958-58 to be used only together with snoot code 28-3957-30. 17°, 55° (mirror metallized), 70° (white) optics are available on demand

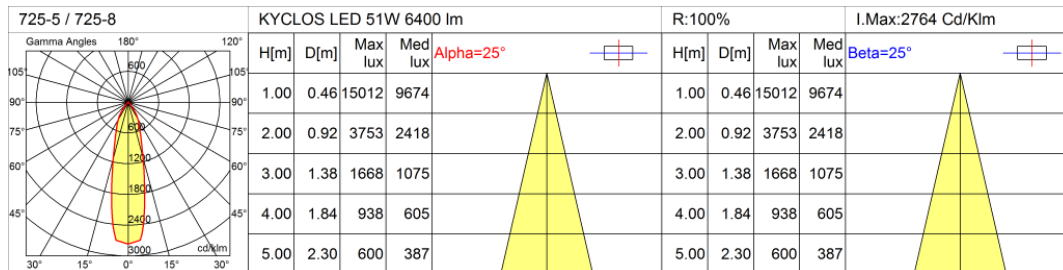


## Accessories



Lamps	Lamp categories	Lamp type	Lamp wattage (W)	Nominal lumens on thermal regime (lm)	Color rendering (CRI)	Delivered lumens (lm)
	LED	COB LED	51	6400	85	5485

## Photometrics



## Pictures and Applications

