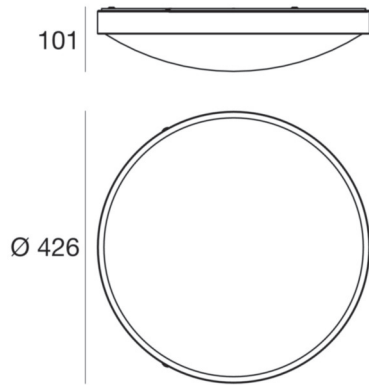


Ceiling Lights | 220-240 V | topLED 30 W 400 mA | CRI 80
90295



Technical data	
Type	Surface
Installation position	Wall lights - Ceiling
Installation environment	Indoor
Light Source	LED
Optics	General Lighting
Light emission direction	downward
Power	30 W
Source lumens	2447 lm
Frequency	60 - 50 Hz
CCT / Tone	3000 K
Colour rendering index	80 Ra
IP	IP40
Glow wire test	850°
Direct mounting on normally flammable surfaces	Yes
CE	Yes
ETL	No
Fire Rated (BS 476 PT21 compliant)	No
Driver included	Driver
Induction	No
Emergency mode	No
Motion sensor	No
Directional	No
Tilting	No
Walk-over	No
Drive-over	No
Cable included	No
Resin potting	No
Type of light emission	Single emission

Finishing diffuser	
Material	Glass
Colour	white
Processing	Silk-screening

Ceiling Lights | 220-240 V | topLED 30 W 400 mA | CRI 80 90295

Single emission ceiling lights for indoor application. The warm white LED light source with a general lighting light distribution is composed of 1 topLED LEDs with CCT of 3000 K and a CRI 80; the source luminous flux is 2447 lm, with a 81.6 lm/W nominal luminous efficacy.

The diffuser is made of glass with a silk-screening treatment; the mounting frame is made of iron, with a chrome finish, processed by means of electroplating. The ingress protection degree is IP40;

The total absorbed power is 30 W.

and can be wall lights or ceiling-mounted.

Illuminotechnical Features

Light Output Ratio (LOR)	64 %
Source lumens	2447 lm
Delivered lumens	1580 lm
Consumption	30 W
Luminaire efficacy	52 lm/W
Colour temperature	3000 K
Standard Deviation of Colour Matching	3 Step MacAdam
Colour rendering index	80 Ra

LED Life / Failure Ratio

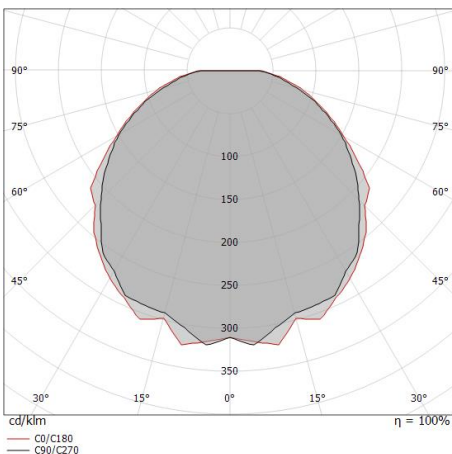
L80 B20 C0 80h

UGR

X=4H Y=8H	S=0.25H
Reflection factor	70/50/20
UGR transversal	< 19
UGR axial	< 19

OPTICAL

Light distribution simmetry	Symmetrical
C0/C180 optics	115°



Distance [m]	Cone diameter [m]	illuminance [lx]
0.5	1.56	E(0°) 1962
	1.62	E(C90) 57.4° 159
		E(C0) 58.3° 149
1.0	3.13	E(0°) 491
	3.24	E(C90) 57.4° 40
		E(C0) 58.3° 37
1.5	4.69	E(0°) 218
	4.86	E(C90) 57.4° 18
		E(C0) 58.3° 17
2.0	6.25	E(0°) 123
	6.48	E(C90) 57.4° 10
		E(C0) 58.3° 9
2.5	7.82	E(0°) 78
	8.10	E(C90) 57.4° 6
		E(C0) 58.3° 6
3.0	9.38	E(0°) 55
	9.71	E(C90) 57.4° 4
		E(C0) 58.3° 4

— C0/C180 (Half-peak divergence: 116.6°)
- - C90/C270 (Half-peak divergence: 114.8°)