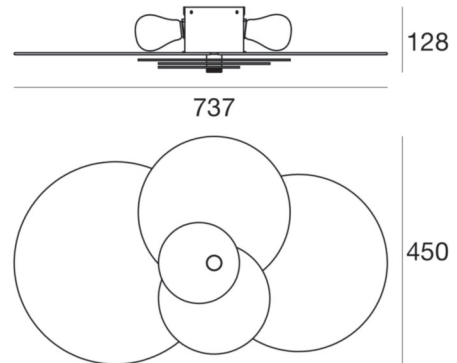


# Hula Hoop\_S



Ceiling Lights | 220-240 V | 2xE27  
90212



Technical data	
Type	Surface
Installation position	Ceiling
Installation environment	Indoor
Lamp cap	2 x E27 Max 57W
Frequency	50-60 Hz
Optics	General Lighting
Light emission direction	backward
Safety class	1
IP	IP20
Glow wire test	650°
Direct mounting on normally flammable surfaces	Yes
CE	Yes
ETL	No
Fire Rated (BS 476 PT21 compliant)	No
Induction	No
Motion sensor	No
Directional	No
Tilting	No
Walk-over	No
Drive-over	No
Cable included	No
Resin potting	No
Net weight	3.300 Kg

Finishing casing	
Material	Iron
Colour	white
Processing	Coating

Finishing diffuser	
Material	Acrylic glass - Acrylic glass - Acrylic glass - Glass
Colour	blue - yellow - chrome - white
Processing	Sandblasting

# Hula Hoop\_S



Ceiling Lights | 220-240 V | 2xE27  
**90212**

Double emission ceiling lights for indoor application. Compatibility: LED lamp, halogen 57 W, compact fluo 20 W; lamp cap 2xE27.

The device body is made of iron and features a white finish, processed by means of coating; the diffuser is made of glass with a sandblasting treatment; the diffuser is made of acrylic glass; the diffuser is made of acrylic glass; the diffuser is made of acrylic glass. The ingress protection degree is IP20; the total weight is of 3.300 kg.

The device features protection class I and can be ceiling-mounted.

## Illuminotechnical Features

Source lumens	1830 lm
Colour temperature	2800 K
Colour rendering index	100 Ra