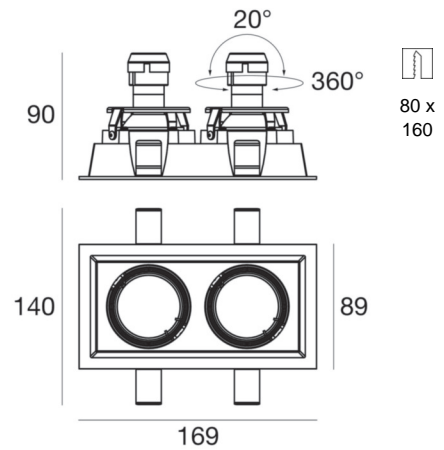
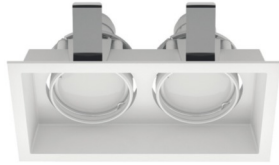


Incasso_CJ



| 220-240 V | 2xGU10
8372



Technical data

Installation position	Wall lights - Ceiling
Installation environment	Indoor
Lamp cap	2 x GU10 Max 50W
Optics	spot
Light emission direction	downward
Safety class	1
IP	IP20
Glow wire test	850°
Direct mounting on normally flammable surfaces	Yes
CE	Yes
ETL	No
Fire Rated (BS 476 PT21 compliant)	No
Induction	No
Motion sensor	No
Directional	No
Tilting	Yes
Walk-over	No
Drive-over	No
Cable included	No
Resin potting	No

Finishing casing

Material	Aluminium
Colour	embossed white RAL 9003
Processing	Coating



| 220-240 V | 2xGU10
8372

Single emission for indoor application. Compatibility: LED lamp, halogen 50 W; lamp cap 2xGU10.

The device body is made of aluminium and features a embossed white ral 9003 finish, processed by means of coating. The ingress protection degree is IP20;

The device features protection class I and can be wall lights or ceiling-mounted, with a 80 x 160 mm hole (in plasterboard).