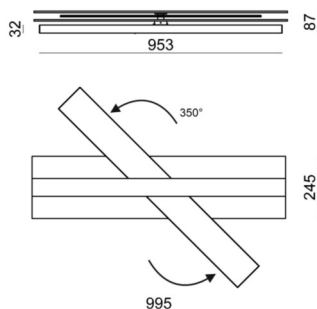




Wall Lights - Ceiling Lights | 220-240 V | topLED 36 W 900 mA | CRI 90
8155



Technical data	
Designer	Lorenzo Antonioni
Installation position	Ceiling
Installation environment	Indoor
Light Source	LED
Optics	General Lighting
Light emission direction	downward
Power	36 W
Luminous flux (source)	4269 lm
Frequency	60 - 50 Hz
CCT / Tonalità	3000 K
Colour rendering index	90 Ra
Safety class	1
IP	IP20
Glow wire test	850°
Direct mounting on normally flammable surfaces	Yes
CE	Yes
ETL	No
Driver included	Yes
Induzione	No
Emergency mode	No
Motion sensor	No
Directional	Yes
Tilting	No
Walk-over	No
Drive-over	No
Cable included	No
Resin potting	No

Finishing casing	
Material	Aluminium - Aluminium
Colour	embossed white RAL 9003 - embossed white RAL
Processing	Coating - Coating

Finishing diffuser	
Material	Glass
Colour	white
Processing	Acid etching

Finishing mounting frame	
Material	Iron
Colour	embossed white RAL 9003
Processing	Coating



Wall Lights - Ceiling Lights | 220-240 V | topLED 36 W 900 mA | CRI 90
8155

Single emission ceiling lights for indoor application. The warm white LED light source with a general lighting light distribution is composed of 48 topped LEDs with CCT of 3000 K and a CRI 90; the source luminous flux is 4269 lm, with a 118.6 lm/W nominal luminous efficacy and an operating lifetime (L80) of 80000 hours.

The device body is made of aluminium and features a embossed white ral 9003 finish, processed by means of coating. The device body is made of aluminium and features a embossed white ral 9003 finish, processed by means of coating; the diffuser is made of glass with a acid etching treatment; the mounting frame is made of iron, with a embossed white ral 9003 finish, processed by means of coating. The ingress protection degree is IP20; The power supply driver is included in the delivery.

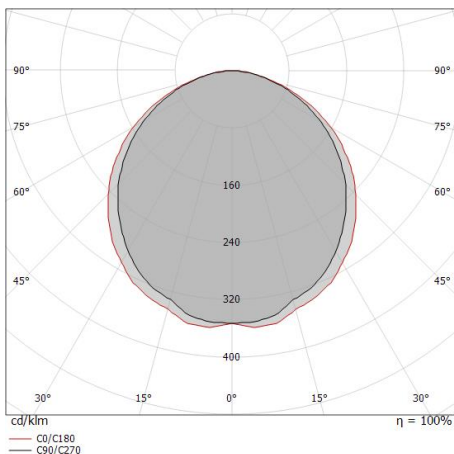
The total absorbed power is 36 W.

The device features protection class I and can be ceiling-mounted.

Illuminotechnical Features	
Light Output Ratio (LOR)	64 %
Luminous flux (source)	4269 lm
Luminaire luminous flux	2754 lm
Consumption	36 W
Luminaire efficacy	76 lm/W
Colour temperature	3000 K
Standard Deviation of Colour Matching	3 Step MacAdam
Colour rendering index	90 Ra
Life / Failure ratio	L80C0B20

UGR	
X=4H Y=8H	S=0.25H
Reflection factor	70/50/20
UGR transversal	< 25
UGR axial	< 19

OPTICAL	
Light distribution simmetry	Symmetrical 2
Optica C0/C180	113°
Optica C90/C270	108°



Distance [m]	Cone diameter [m]	Illuminance [lx]	E(0°)	E(C90)	E(C0)
0.5	1.38 1.52	3885 392 329	54.1°	56.7°	
1.0	2.76 3.04	971 98 82	54.1°	56.7°	
1.5	4.14 4.57	432 44 37	54.1°	56.7°	
2.0	5.53 6.08	243 24 21	54.1°	56.7°	
2.5	6.91 7.61	155 16 13	54.1°	56.7°	
3.0	8.29 9.13	108 11 9	54.1°	56.7°	

Distance [m] Cone diameter [m] Illuminance [lx]

— C0/C180 (Half-peak divergence: 113.4°)
— C90/C270 (Half-peak divergence: 108.2°)