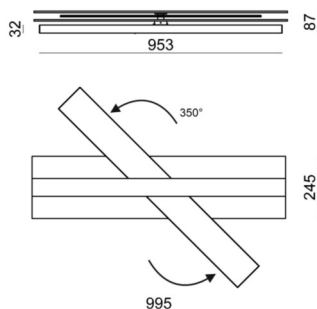




Wall Lights - Ceiling Lights | 220-240 V | topLED 36 W 900 mA | CRI 90
8158



Technical data	
Designer	Lorenzo Antonioni
Installation position	Ceiling
Installation environment	Indoor
Light Source	LED
Optics	General Lighting
Light emission direction	downward
Power	36 W
Luminous flux (source)	4269 lm
Frequency	60 - 50 Hz
CCT / Tonalità	3000 K
Colour rendering index	90 Ra
Safety class	1
IP	IP20
Glow wire test	850°
Direct mounting on normally flammable surfaces	Yes
CE	Yes
ETL	No
Driver included	Yes
Induzione	No
Emergency mode	No
Motion sensor	No
Directional	Yes
Tilting	No
Walk-over	No
Drive-over	No
Cable included	No
Resin potting	No
Net weight	9.4 Kg

Finishing casing	
Material	Aluminium - Aluminium
Colour	black - champagne
Processing	Anodisation - Anodisation

Finishing diffuser	
Material	Glass
Colour	white
Processing	Acid etching

Finishing mounting frame	
Material	Iron
Colour	black RAL 9005
Processing	Coating

Wall Lights - Ceiling Lights | 220-240 V | topLED 36 W 900 mA | CRI 90
8158

Single emission ceiling lights for indoor application. The warm white LED light source with a general lighting light distribution is composed of 48 topped LEDs with CCT of 3000 K and a CRI 90; the source luminous flux is 4269 lm, with a 118.6 lm/W nominal luminous efficacy and an operating lifetime (L80) of 80000 hours.

The device body is made of aluminium and features a black finish, processed by means of anodisation. The device body is made of aluminium and features a champagne finish, processed by means of anodisation; the diffuser is made of glass with an acid etching treatment; the mounting frame is made of iron, with a black RAL 9005 finish, processed by means of coating. The ingress protection degree is IP20; the total weight is 9.4 kg. The power supply driver is included in the delivery.

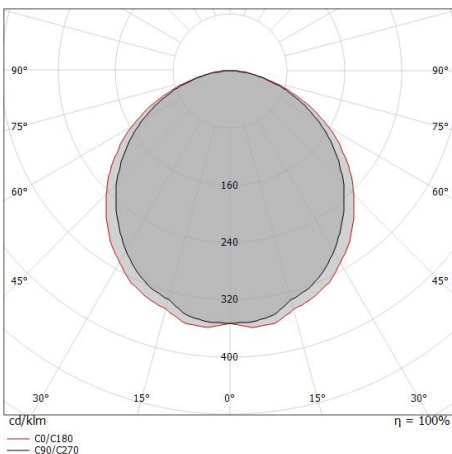
The total absorbed power is 36 W.

The device features protection class I and can be ceiling-mounted.

Illuminotechnical Features	
Light Output Ratio (LOR)	64 %
Luminous flux (source)	4269 lm
Luminaire luminous flux	2754 lm
Consumption	36 W
Luminaire efficacy	76 lm/W
Colour temperature	3000 K
Standard Deviation of Colour Matching	3 Step MacAdam
Colour rendering index	90 Ra
Life / Failure ratio	L80C0B20

UGR	
X=4H Y=8H	S=0.25H
Reflection factor	70/50/20
UGR transversal	< 25
UGR axial	< 19

OPTICAL	
Light distribution symmetry	Symmetrical 2
Optica C0/C180	113°
Optica C90/C270	108°



Distance [m]	Cone diameter [m]	E(0°)	E(C90)	E(C0)
0.5	1.38 1.52	3885	392	329
1.0	2.76 3.04	971	98	82
1.5	4.14 4.57	432	44	37
2.0	5.53 6.08	243	24	21
2.5	6.91 7.61	155	16	13
3.0	8.29 9.13	108	11	9

Distance [m] Cone diameter [m] Illuminance [lx]

— C0/C180 (Half-peak divergence: 113.4°)
 — C90/C270 (Half-peak divergence: 108.2°)