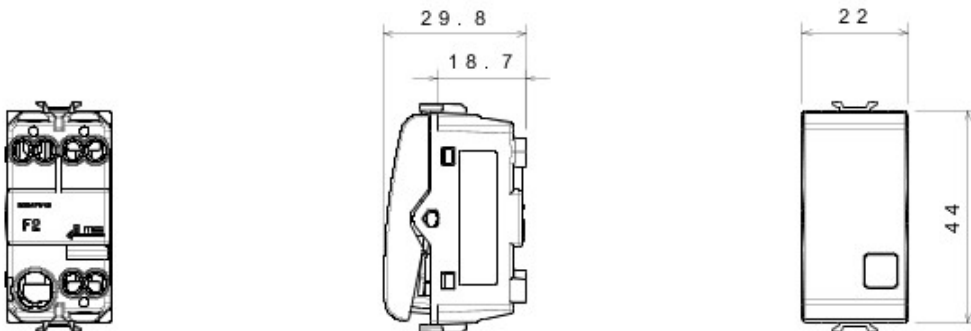




Wide range of switches, energy sockets (compliant with national and international standards), data sockets, devices for the management of climate control, comfort, technical alarms signalling, emergency lighting. The Chorus modular devices are available in four colors, glossy white, satin black, painted titanium and glossy ivory and in different modularities, 1/2, 1, 2 and 3 modules. Thanks to the frame supports for rectangular, square and round boxes, the devices allow you to create endless combinations with the range of Chorus plates.

Category	Push-button	Button key	With replaceable neutral lens
Colour	Black	Description	1P NO - 16A illuminable
Voltage	250 V ac	Standard	EN 60669-1
Resistance at test voltage	2000 V a 50 Hz for 1 minut	Symbol	Bell
Insulation resistance	> 5 MOhm	Wiring terminals	With screw
Breaking capacity	1.25 In (200 position changes)	Prolonged operation (no.of position changes)	40.000 at In 250 V ac cos $\phi$ =0,6
Thermo-pressure with ball	125 °C	Glow Wire Test	850 °C
Terminal grip on cable traction	> 50 N	Terminal tightening capacity flexible cables (mm <sup>2</sup> )	min. 0,75 - max. 2x4
Terminal tightening capacity rigid cables (mm <sup>2</sup> )	min. 0,5 - max. 2x2,5	No. Chorus modules	1
Electrocod	0130		

### DIMENSIONAL



### TECHNICAL SYMBOLOGY



EN 60695-10-2

125 °C



850 °C

### STANDARDS/APPROVALS

