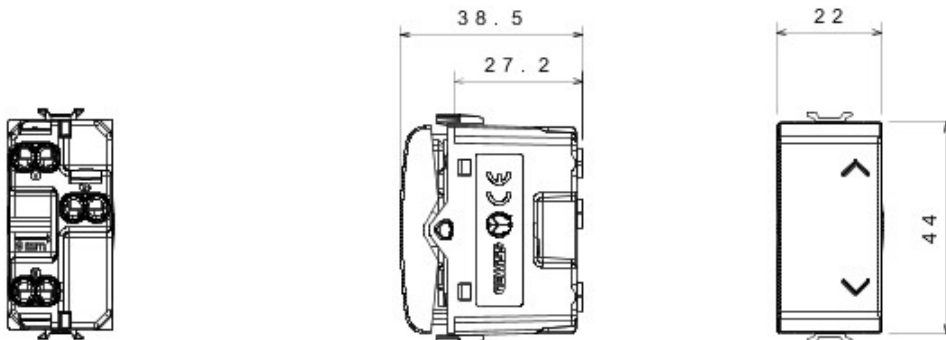


Wide range of switches, energy sockets (compliant with national and international standards), data sockets, devices for the management of climate control, comfort, technical alarms signalling, emergency lighting. The Chorus modular devices are available in four colors, glossy white, satin black, painted titanium and glossy ivory and in different modularities, 1/2, 1, 2 and 3 modules. Thanks to the frame supports for rectangular, square and round boxes, the devices allow you to create endless combinations with the range of Chorus plates.

|   |                                |  |                                |
|---|--------------------------------|--|--------------------------------|
| Category  | Double push-button             | Button key   | With interlock                 |
| Colour  | Black                          | Description  | 1P NO+NO - 10A                 |
| Voltage   | 250 V ac                       | Standard   | EN 60669-1                     |
| Resistance at test voltage                      | 2000 V a 50 Hz for 1 minut     | Symbol   | UP - DOWN                      |
| Insulation resistance                           | > 5 MOhm                       | Wiring terminals                                   | With screw                     |
| Breaking capacity                               | 1.25 In (200 position changes) | Prolonged operation (no.of position changes)       | 40.000 at In 250 V ac cosØ=0,6 |
| Thermo-pressure with ball                       | 125 °C                         | Glow Wire Test                                     | 850 °C                         |
| Terminal grip on cable traction                 | > 50 N                         | Terminal tightening capacity flexible cables (mm2) | min. 0,75 - max. 2x4           |
| Terminal tightening capacity rigid cables (mm2) | min. 0,5 - max. 2x2,5          | No. Chorus modules                                 | 1                              |
| Electrocod                                      | 0130                           |  |                                |

### DIMENSIONAL



### TECHNICAL SYMBOLOGY



EN 60695-10-2

125 °C



850 °C

### STANDARDS/APPROVALS

