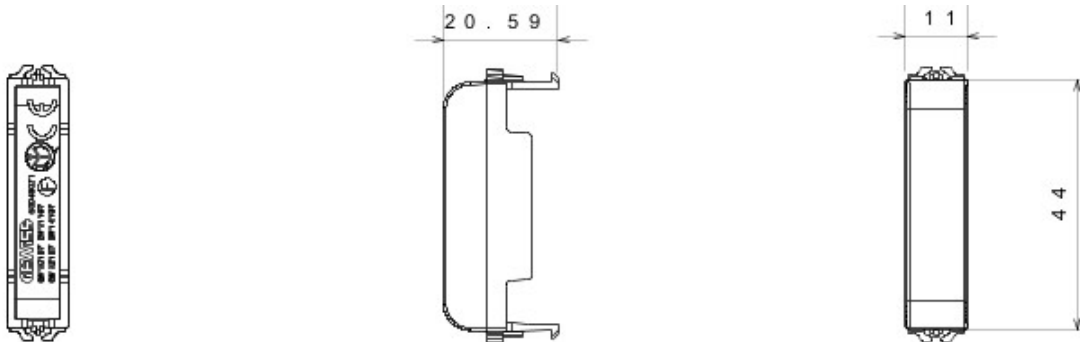


Wide range of switches, energy sockets (compliant with national and international standards), data sockets, devices for the management of climate control, comfort, technical alarms signalling, emergency lighting. The Chorus modular devices are available in four colors, glossy white, satin black, painted titanium and glossy ivory and in different modularities, 1/2, 1, 2 and 3 modules. Thanks to the frame supports for rectangular, square and round boxes, the devices allow you to create endless combinations with the range of Chorus plates.

Category	Blanking module	Colour	Black
Description	1/2 gang	Standard	EN 60669-1
Thermo-pressure with ball	125 °C	Glow Wire Test	850 °C
No. Chorus modules	1/2	Electrocod	0100

DIMENSIONAL



TECHNICAL SYMBOLOGY



EN 60695-10-2
125 °C



850 °C

STANDARDS/APPROVALS

