



RA 4 ADJUSTABLE WITH LENS

Design: Studio Tecnico Ivela



Product code	Colour
253-210-21	Mat white

General Specifications

Product type	: Downlights
Mounting type	: Ceiling - recessed
Description	: Adjustable downlight with lens, designed for the last generation of COB LEDs. It is characterized by an extremely shallow recessed depth. The 500mA 20W constant current LED driver must to be ordered separately. Max 8 fittings can be connected.

Indoor/outdoor lights	: Indoor
Applications	: Corridors, Passage areas, Residential, Showrooms

Lighting specifications

Average lamp life (h)	: 50.000
Lamp description	: LED 200lm 2W 3000K
Nominal lumens on thermal regime	: 200
Lamp wattage (W)	: 2
Color temperature (K)	: 3000

Physical Specifications

Body	: Die-cast aluminium
Finishes	: Polyester painted
Thermal Dissipation	: Passive

Electrical Specifications

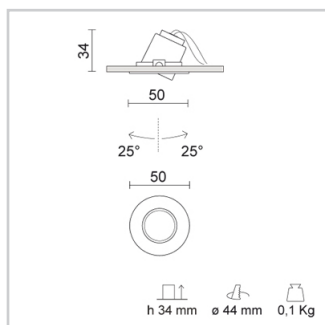
Glow wire (°C)	: 850
Driver	: Separate item
Driver mounting	: Remote

Weight and Dimensions

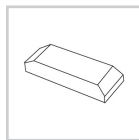
Shape	: Round
External diameter (mm)	: 50
False ceiling thickness (mm)	: 1 - 30 mm
Height (mm)	: 34
Cutout shape	: Round
Cutout Diameter (mm)	: 44
Recessed depth (mm)	: 34
Weight (Kg)	: 0.1

Optical Specifications


Aiming	: Adjustable
Light distribution	: Symmetric
Light emission	: Direct
Light beam	: 14°
Horizontal orientation	: +/- 25°
Unified Glare Rating (U.G.R.)	: <19



Drivers



81-04019
Driver 500mA
constant
current

Lamps	Lamp categories	Lamp type	Lamp wattage (W)	Nominal lumens on thermal regime (lm)
	LED	LED	2	200