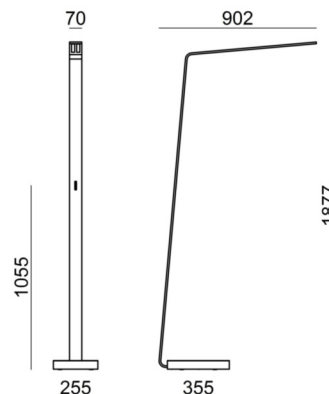


# Lama\_FL office



Floor Lamp | 220-240 V | topLED 38 W | CRI 85  
7116



| Technical data                                 |                     |
|--|---------------------|
| Installation position                          | Floor               |
| Installation environment                       | Indoor              |
| Light Source                                   | LED                 |
| Optics   | General Lighting    |
| Light emission direction                       | downward and upward |
| Power  | 38 W                |
| Luminous flux (source)                         | 2760 lm             |
| Frequency                                      | 50 - 60 Hz          |
| CCT / Tonaltà                                  | 3000 K              |
| Colour rendering index                         | 85 Ra               |
| AC / DC  | AC                  |
| Safety class                                   | 1                   |
| IP   | IP20                |
| Optical compartment IP                         | IP40                |
| Glow wire test                                 | 850°                |
| Direct mounting on normally flammable surfaces | Yes                 |
| CE   | Yes                 |
| ETL  | No                  |
| Driver included                                | Yes                 |
| Dimmable article                               | Touch               |
| Induzione                                      | No                  |
| Emergency mode                                 | No                  |
| Motion sensor                                  | No                  |
| Directional                                    | No                  |
| Tilting  | No                  |
| Walk-over                                      | No                  |
| Drive-over                                     | No                  |
| Cable included                                 | Yes                 |
| Cable length                                   | 2.50 m              |
| Electric socket                                | Type F+E            |
| Resin potting                                  | No                  |

| Finishing casing |                         |
|------------------|-------------------------|
| Material         | Aluminium               |
| Colour           | embossed white RAL 9003 |
| Processing       | Coating                 |

| Finishing diffuser |         |
|--------------------|---------|
| Material           | PC      |
| Colour             | opaline |



Floor Lamp | 220-240 V | topLED 38 W | CRI 85  
7116

Double emission floor lamp for indoor application. The warm white LED light source with a general lighting light distribution is composed of 240 topped LEDs with CCT of 3000 K and a CRI 85; the source luminous flux is 2760 lm, with a 72.6 lm/W nominal luminous efficacy and an operating lifetime (L80) of 80000 hours.

The device body is made of aluminium and features a embossed white ral 9003 finish, processed by means of coating; the diffuser is made of PC. The ingress protection degree is IP20; the total weight is of 13.35 kg. The power supply driver is included in the delivery.

The total absorbed power is 38 W. The power supply cable is included and features.

The device features protection class I and can be floor-mounted.

| Illuminotechnical Features            |                |
|---------------------------------------|----------------|
| Light Output Ratio (LOR)              | 60 %           |
| Luminous flux (source)                | 2760 lm        |
| Luminaire luminous flux               | 1669 lm        |
| Consumption                           | 38 W           |
| Luminaire efficacy                    | 43 lm/W        |
| Colour temperature                    | 3000 K         |
| Standard Deviation of Colour Matching | 3 Step MacAdam |
| Colour rendering index                | 85 Ra          |

| UGR               |          |
|-------------------|----------|
| X=4H   Y=8H       | S=0.25H  |
| Reflection factor | 70/50/20 |
| UGR transversal   | < 22     |
| UGR axial         | < 19     |

| OPTICAL                     |              |
|-----------------------------|--------------|
| Light distribution simmetry | Asymmetrical |
| Ottica C0/C180              | 118°         |
| Ottica C90/C270             | 108°         |

