



| Product code | Colour            |
|--------------|-------------------|
| 750-271AN-21 | Mat white         |
| 750-271AN-16 | Black             |
| 750-271AN-52 | Silver, on demand |

### General Specifications

|               |  |
|---------------|--|
| Product type  | : Spotlights   |
| Mounting type | : Ceiling - recessed   |
| Description   | : Spotlight with canopy, specially developed for high efficiency COB LEDs. It can rotate up to 350° with respect to the vertical and to the horizontal axis. Joint in chromed metal on white finish / brass on black finish. Interior anti-glare snoot in black thermoplastic material. Professional optics to get different beam angles and optical devices for a better visual comfort are available as accessories. LED drivers should be ordered separately; the wattage of the fittings changes depending on the selected driver. |

|                       |                                    |
|-----------------------|------------------------------------|
| Indoor/outdoor lights | : Indoor                           |
| Applications          | : Hospitality, Residential, Retail |

### Lighting specifications

|                                  |                    |
|----------------------------------|--------------------|
| Average lamp life (h)            | : 50.000           |
| Lamp description                 | : 2450lm 18W 4000K |
| Nominal lumens on thermal regime | : 2450             |
| Efficiency L.O.R. (%)            | : 89               |
| Delivered lumens (lm)            | : 2181             |
| Lamp wattage (W)                 | : 18               |
| Color temperature (K)            | : 4000             |

### Physical Specifications

|                     |  |
|---------------------|--|
| Body                | : Die-cast aluminium                       |
| Finishes            | : Polyester painted                        |
| Reflector           | : Mirror-metallized thermoplastic material |
| Thermal Dissipation | : Passive                                  |

### Electrical Specifications

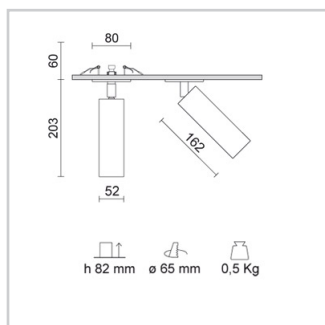
|                 |                 |
|-----------------|-----------------|
| Glow wire (°C)  | : 850           |
| Driver          | : Separate item |
| Driver mounting | : Remote        |

### Weight and Dimensions

|                      |               |
|----------------------|---------------|
| Shape                | : Cylindrical |
| Length (mm)          | : 162         |
| Width (mm)           | : 52          |
| Cutout Diameter (mm) | : 65          |
| Recessed depth (mm)  | : 82          |
| Weight (Kg)          | : 0.5         |

### Optical Specifications

|                        |  |
|------------------------|--|
| Light distribution     | : Symmetric  |
| Light emission         | : Direct   |
| Light beam             | : 30°  |
| Horizontal orientation | : 350°   |
| Note                   | : Honeycomb code 28-4022-30 to be used only together with screen code 28-3905-47. 24°, 45° (mirror metallized) optics are available on demand. |



Unified Glare Rating (U.G.R.) : <11

## Accessories



28-3905-47  
Closing  
screen in  
thermoplastic

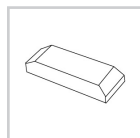
28-3901-51  
Professional  
optic device  
24°

28-3903-51  
Professional  
optic device  
45°


28-3979-100  
Satined gold  
snoot

28-4022-30  
Honeycomb

## Drivers



81-04002  
Driver 500mA  
DALI  
dimnable

| Lamps  | Lamp categories | Lamp type | Lamp wattage (W) | Nominal lumens on thermal regime (lm) | Color rendering (CRI) |
|--|-----------------|-----------|------------------|---------------------------------------|-----------------------|
|  | LED             | COB LED   | 18               | 2450                                  | 85                    |

## Pictures and Applications

