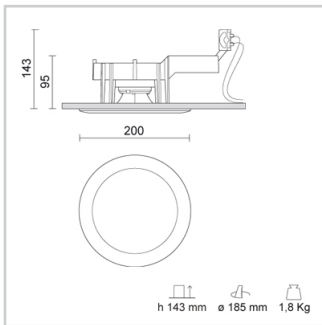
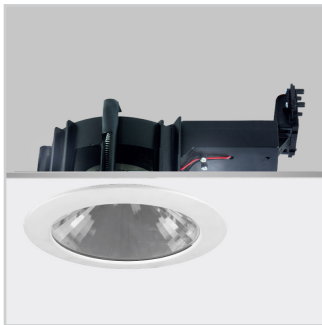



RA 20 DIXIT LED 51W 4000K
Design: Studio Tecnico Ivela


Product code	Color
244-242AN-21	Mat white

General Specifications

Product type	: Downlights
Mounting type	: Ceiling - recessed
Description	: Fixed downlight for diffused lighting, designed for the last generation of COB LEDs, easy to install in false ceilings also with staves from 1 to 30 mm. LED drivers should be ordered separately, the wattage of the fittings changes depending on the selected driver. Protection rating IP44.
Indoor/outdoor lights	: Indoor
Applications	: Accommodation facilities, Architectural features, Retail , Shopping centres, Showrooms

Lighting specifications

Average lamp life (h)	: L80B10 50.000
Lamp description	: LED 6600lm 51W 4000K
Nominal lumens on thermal regime	: 6600
Efficiency L.O.R. (%)	: 85,7
Delivered lumens (lm)	: 5656
Lamp wattage (W)	: 51
Color temperature (K)	: 4000

Physical Specifications

Body	: Die-cast aluminium
Finishes	: Polyester painted
Reflector	: Mirror-metallized thermoplastic material
Closing Screen	: Tempered safety glass 4 mm
Thermal Dissipation	: Passive
Ring	: Die-cast aluminium polyester painted

Electrical Specifications

Glow wire (°C)	: 850
Driver	: Separate item
Driver mounting	: Remote

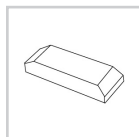
Weight and Dimensions

Shape	: Round
External diameter (mm)	: 200
False ceiling thickness (mm)	: 1-30
Height (mm)	: 95
Cutout shape	: Round
Cutout Diameter (mm)	: 185
Recessed depth (mm)	: 143
Weight (Kg)	: 1,8


Optical Specifications

Aiming	: Fixed
Light distribution	: Symmetric
Light emission	: Direct
Light beam	: 100°

Drivers



Product Code : 81-04004
 Name : Driver 1400mA
 description : Driver 1400mA

Lamps	Lamp categories	Lamp type	Lamp wattage (W)	Nominal lumens on thermal regime (lm)	Color temperature (K)	Color rendering (CRI)
	LED	COB LED	51	6600	4000	85

Pictures and Applications

