


MINIKYCLOS 230 MM 2000LM 3000K
Design: Enrico Davide Bona and Elisa Nobile


Product code	Colour
717-651-16	Black
717-651-52	Silver, on demand
717-651-21	Mat white

General Specifications

Product type	: Spotlights
Mounting type	: MM 1-phase track
Description	: Minikyclos 230 is a compact spotlight for single-phase electrified tracks MM, equipped with main voltage COB LED, without driver. Minikyclos 230 is dimmable on the mains (230V). Body in die-cast aluminium, with a front part in clear polycarbonate, backpainted for a brighter finish. Accessoried with optics for other beams.

Indoor/outdoor lights	: Indoor
Applications	: Museums, Retail ,Shops, Showrooms

Lighting specifications

Average lamp life (h)	: 50.000
Lamp description	: LED 2000lm 19W 3000K
Nominal lumens on thermal regime	: 2000
Efficiency L.O.R. (%)	: 89
Delivered lumens (lm)	: 1780
Lamp wattage (W)	: 19
Color temperature (K)	: 3000

Physical Specifications

Body	: Die-cast aluminium
Finishes	: Polyester painted
Reflector	: Mirror-metallized thermoplastic material
Thermal Dissipation	: Passive

Electrical Specifications

Glow wire (°C)	: 850
Voltage (V)	: 230
Frequency (Hz)	: 50/60

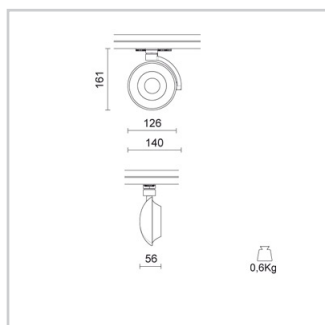
Weight and Dimensions

Width (mm)	: 135
Height (mm)	: 161
Weight (Kg)	: 0.7

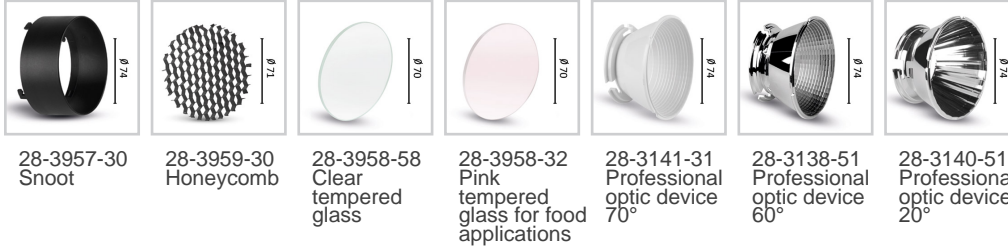
Optical Specifications


Light distribution	: Symmetric
Light emission	: Direct
Light beam	: 38°
Horizontal orientation	: 350°
Vertical tilt	: 350°
Note	: Honeycomb code 28-3959-30, pink tempered glass for food applications code 28-3958-58, closing screen cod. 28-3958-58 to be used only together with snoot code 28-3957-30. 20°, 60° (mirror metallized), 70° (white) optics are available on demand.

Unified Glare Rating (U.G.R.)	: <19
-------------------------------	-------

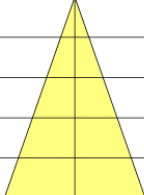
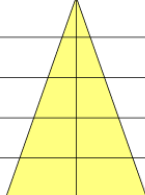


Accessories



Lamps	Lamp categories	Lamp type	Lamp wattage (W)	Nominal lumens on thermal regime (lm)	Color rendering (CRI)
	LED	COB LED	19	2000	80

Photometrics

717-6	MINIKYCLOS 230 LED 19W 2000 lm 3000/4000K				R:100%	I.Max:1644 Cd/Klm				
Gamma Angles	H[m]	D[m]	Max lux	Med lux	Alpha=38°	H[m]	D[m]	Max lux	Med lux	Beta=38°
180°	1.00	0.71	2927	1665		1.00	0.71	2927	1665	
120°	2.00	1.41	732	416		2.00	1.41	732	416	
90°	3.00	2.12	325	185		3.00	2.12	325	185	
60°	4.00	2.82	183	104		4.00	2.82	183	104	
45°	5.00	3.53	117	67		5.00	3.53	117	67	

Pictures and Applications

