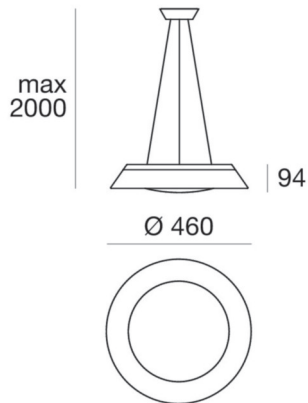
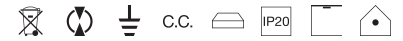


# Conus\_P2



Pendant Luminaires | 220-240 V | topLED 21 W 500 mA | CRI 90  
7538



Technical data	
Type	Surface
Installation position	Ceiling
Installation environment	Indoor
Light Source	LED
Optics	General Lighting
Light emission direction	downward
Power	21 W
Source lumens	2560 lm
Frequency	50 - 60 Hz
CCT / Tone	3000 K
Colour rendering index	90 Ra
Safety class	1
IP	IP20
Optical compartment IP	IP40
Glow wire test	650°
Direct mounting on normally flammable surfaces	Yes
CE	Yes
ETL	No
Fire Rated (BS 476 PT21 compliant)	No
Driver included	Driver
Induction	No
Emergency mode	No
Motion sensor	No
Directional	No
Tilting	No
Walk-over	No
Drive-over	No
Cable included	No
Resin potting	No
Type of light emission	Double emission
Net weight	2.800 Kg

Finishing casing	
Material	Aluminium
Colour	black RAL 9005
Processing	Coating
Finishing diffuser	
Material	PMMA
Colour	white
Processing	Satin finishing

Pendant Luminaires | 220-240 V | topLED 21 W 500 mA | CRI 90  
7538

Double emission pendant luminaires for indoor application. The warm white LED light source with a general lighting light distribution is composed of 1 topLED LEDs with CCT of 3000 K and a CRI 90; the source luminous flux is 2560 lm, with a 121.9 lm/W nominal luminous efficacy.

The device body is made of aluminium and features a black ral 9005 finish, processed by means of coating; the diffuser is made of pmma with a satin finishing treatment; the mounting frame is made of aluminium, with a black ral 9005 finish, processed by means of coating. The ingress protection degree is IP20; the total weight is of 2.800 kg.

The total absorbed power is 21 W.

The device features protection class I and can be ceiling-mounted.

### Illuminotechnical Features

Light Output Ratio (LOR)	67 %
Source lumens	2560 lm
Delivered lumens	1733 lm
Consumption	21 W
Luminaire efficacy	82 lm/W
Colour temperature	3000 K
Standard Deviation of Colour Matching	3 Step MacAdam
Colour rendering index	90 Ra

### LED Life / Failure Ratio

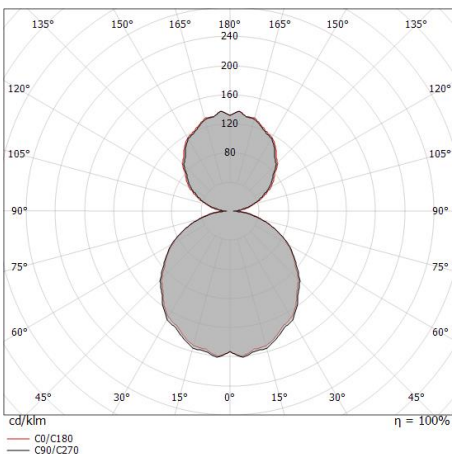
L80 B20 C0 80000h
-------------------

### UGR

X=4H   Y=8H	S=0.25H
Reflection factor	70/50/20
UGR transversal	< 16
UGR axial	< 16

### OPTICAL

Light distribution simmetry	Symmetrical
C0/C180 optics	114°



Distance [m]	Cone diameter [m]	Illuminance [lx]
0.5	1.55 1.53	E(0°) 1340 E(C90) 57.2° 111 E(C0) 56.9° 113
1.0	3.10 3.07	E(0°) 335 E(C90) 57.2° 28 E(C0) 56.9° 28
1.5	4.66 4.60	E(0°) 149 E(C90) 57.2° 12 E(C0) 56.9° 13
2.0	6.21 6.14	E(0°) 84 E(C90) 57.2° 7 E(C0) 56.9° 7
2.5	7.76 7.67	E(0°) 54 E(C90) 57.2° 4 E(C0) 56.9° 5
3.0	9.31 9.20	E(0°) 37 E(C90) 57.2° 3 E(C0) 56.9° 3

Distance [m] Cone diameter [m] Illuminance [lx]

— C0/C180 (Half-peak divergence: 113.8°)  
— C90/C270 (Half-peak divergence: 114.4°)