


PERFETTO 3250LM 4000K
Design: Studio Tecnico Ivela


Product code	Colour
743-161A-21	Mat white
743-161A-16	Black
743-161A-52	Silver, on demand

General Specifications

Product type	: Spotlights
Mounting type	: LKM 3-phase track
Description	: Spotlight for electrified tracks, specially developed for high efficiency COB LEDs. It can rotate up to 350° with respect to the vertical and to the horizontal axis.

Indoor/outdoor lights	: Indoor
Applications	: Museums, Retail, Shopping centres, Showrooms

Lighting specifications

Average lamp life (h)	: 50.000
Lamp description	: LED 3250lm 26W 4000K
Nominal lumens on thermal regime	: 3250
Efficiency L.O.R. (%)	: 89
Delivered lumens (lm)	: 2893
Lamp wattage (W)	: 26
Color temperature (K)	: 4000

Physical Specifications

Body	: Die-cast aluminium
Finishes	: Polyester painted
Reflector	: Mirror-metallized thermoplastic material
Thermal Dissipation	: Passive

Electrical Specifications

Glow wire (°C)	: 850
Driver	: Included
Driver mounting	: Integrated
Voltage (V)	: 220/240
Frequency (Hz)	: 50/60

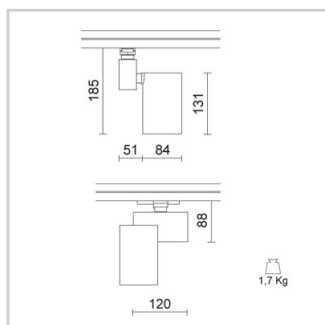
Weight and Dimensions

Shape	: Cylindrical
Length (mm)	: 120
Height (mm)	: 185
Weight (Kg)	: 1.7

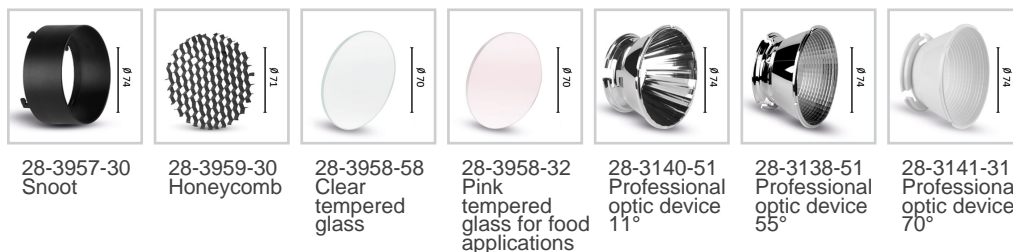
Optical Specifications


Light distribution	: Symmetric
Light emission	: Direct
Light beam	: 25°
Horizontal orientation	: 350°
Note	: Honeycomb code 28-3959-30, pink tempered glass for food applications code 28-3958-58, closing screen cod. 28-3958-58 to be used only together with snoot code 28-3957-30. 11°, 55° (mirror metallized), 70° (white) optics are available on demand.

Unified Glare Rating (U.G.R.)	: <19
-------------------------------	-------



Accessories



Lamps	Lamp categories	Lamp type	Lamp wattage (W)	Nominal lumens on thermal regime (lm)	Color rendering (CRI)	Delivered lumens (lm)
	LED	COB LED	26	3250	85	2893

Pictures and Applications

