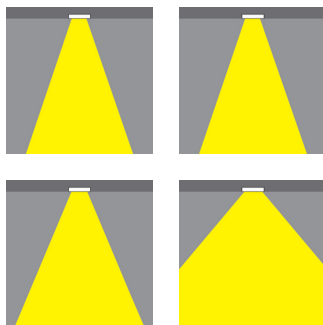
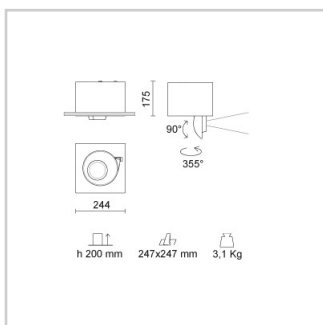




KYCLOS-TL 4000K

Design: Enrico Davide Bona and Elisa Nobile



Product code	Color
528-511AN-16	Black

General Specifications

Product type	: Downlights
Mounting type	: Ceiling - recessed
Description	: Kyclos-TL is a recessed tiltable spotlight in single-light version without decorative frame, for the last generation of COB LEDs. Recessed body in steel, painted in black. Front closing screen in clear polycarbonate, painted on the rear for a brighter effect, with no visible screws. LED drivers should be ordered separately, the wattage of the fittings changes, depending on the selected driver.
Indoor/outdoor lights	: Indoor
Applications	: Contract sector, Display areas, Shops, Showrooms

Lighting specifications

Average lamp life (h)	: L80B10 50.000
Lamp description	: LED 7000lm 51W 4000K
Nominal lumens on thermal regime	: 7000
Efficiency L.O.R. (%)	: 85,3
Delivered lumens (lm)	: 5971
Lamp wattage (W)	: 51
Color temperature (K)	: 4000

Physical Specifications

Body	: Die-cast aluminium
Finishes	: Polyester painted
Reflector	: Mirror-metallized thermoplastic material

Electrical Specifications

Glow wire (°C)	: 850
Driver	: Separate item
Driver mounting	: Remote

Weight and Dimensions

Length (mm)	: 244
Width (mm)	: 244
Height (mm)	: 175
Cutout shape	: Square
Cutout Length (mm)	: 247
Recessed depth (mm)	: 200
Weight (Kg)	: 3.1

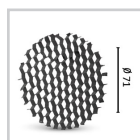
Optical Specifications

Aiming	: Multidirectional
Light distribution	: Symmetric
Light emission	: Direct
Light beam	: 25°
Horizontal orientation	: 355°
Vertical tilt	: 90°
Note	: Honeycomb code 28-3959-30, clear tempered glass code 28-3958-58, pink tempered glass for food application code 28-3958-32, to be used only together with screen code 28-3905-47. 40°, 60° (mirror metallized) and 70° (white) optics are available on demand.

ACCESSORIES



Product Code : 28-3957-30
 Name : Snoot
 Shape : Round



Product Code : 28-3959-30
 Name : Honeycomb
 Finish : Black painted
 Shape : Round
 Notes : To be used only with snoot (28-3957-30)



Product Code : 28-3958-58
 Name : Clear tempered glass
 Shape : Round
 Notes : To be used only with snoot (28-3957-30)



Product Code : 28-3141-31
 Name : Professional optic device 70°
 Finish : White
 Shape : Round

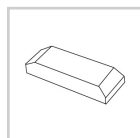


Product Code : 28-3142-51
 Name : Professional optic device 40°
 Finish : Mirror metallized
 Shape : Round




Product Code : 28-3138-51
 Name : Professional optic device 60°
 Finish : Mirror metallized
 Shape : Round

Drivers



Product Code : 81-04004
 Name : Driver 1400mA
 description : Driver 1400mA

Lamps	Lamp categories	Lamp type	Lamp wattage (W)	Nominal lumens on thermal regime (lm)	Color temperature (K)	Color rendering (CRI)
	LED	COB LED	51	7000	4000	85

Pictures and Applications

