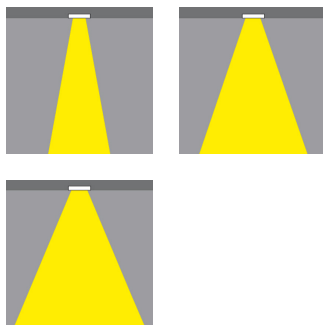
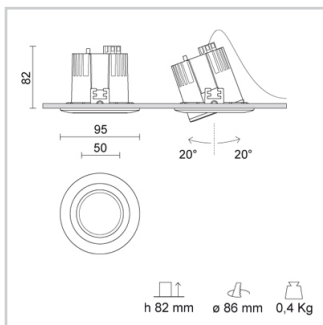




RA 8 DIXIT LED ADJUSTABLE 4000K

Design: Studio Tecnico Ivela



Product code

239-250AN-21

Color

Mat white

General Specifications

Product type : Downlights
 Mounting type : Ceiling - recessed
 Description : Recessed adjustable downlight, designed for the last generation of COB LEDs. LED drivers should be ordered separately, the wattage of the fittings changes depending on the selected driver. Low glare level: UGR < 19.

Indoor/outdoor lights : Indoor
 Applications : Accommodation facilities, Residential, Shopping centres, Showrooms

Lighting specifications

Average lamp life (h) : L80B10 50.000
 Lamp description : LED 1300lm 9W 4000K
 Nominal lumens on thermal regime : 1300
 Efficiency L.O.R. (%) : 87,7
 Delivered lumens (lm) : 1140
 Lamp wattage (W) : 9
 Color temperature (K) : 4000

Physical Specifications

Body : Die-cast aluminium
 Finishes : Polyester painted
 Closing Screen : Clear polycarbonate
 Thermal Dissipation : Passive
 Ring : Die-cast aluminium

Electrical Specifications

Glow wire (°C) : 850
 Driver : Separate item
 Driver mounting : Remote

Weight and Dimensions

Shape : Round
 External diameter (mm) : 95
 False ceiling thickness (mm) : 1-30
 Height (mm) : 82
 Cutout shape : Round
 Cutout Diameter (mm) : 86
 Recessed depth (mm) : 82
 Weight (Kg) : 0.4

Optical Specifications

Aiming : Adjustable
 Light distribution : Symmetric
 Light emission : Direct
 Light beam : 26°
 Horizontal orientation : +/- 20°
 Note : 45° (mirror metallized), 65° (white) optics are available on demand.
 Unified Glare Rating (U.G.R.) : < 19

ACCESSORIES



Product Code : 28-3868-51
 Name : Professional optic device 50°
 Finish : Mirror metallized
 Beam : 50°
 Shape : Round

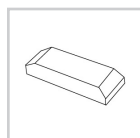


Product Code : 28-3868-31
 Name : Professional optic device 65°
 Finish : White
 Beam : 65°
 Shape : Round



Product Code : 28-3868-51
 Name : Professional optic device 45°
 Finish : Mirror metallized
 Beam : 45°
 Shape : Round

Drivers



Product Code : 81-04009
 Name : Driver 250mA

Lamps	Lamp categories	Lamp wattage (W)	Nominal lumens on thermal regime (lm)	Color temperature (K)	Color rendering (CRI)
-------	-----------------	------------------	---------------------------------------	-----------------------	-----------------------



LED	9	1300	4000	85
-----	---	------	------	----

Pictures and Applications

