



Product code	Colour
742-161A-21	Mat white
742-161A-16	Black
742-161A-52	Silver, on demand

General Specifications

Product type	: Spotlights
Mounting type	: LKM 3-phase track
Description	: Compact spotlight for electrified tracks, with main voltage COB LED. It is dimmable on the mains (230V). It can rotate up to 355° with respect to the vertical axis and pivot up to 90° upwards.

Indoor/outdoor lights	: Indoor
Applications	: Museums, Retail ,Shopping centres, Showrooms

Lighting specifications

Average lamp life (h)	: 50.000
Lamp description	: LED 2000lm 19W 4000K
Nominal lumens on thermal regime	: 2000
Efficiency L.O.R. (%)	: 89
Delivered lumens (lm)	: 1780
Lamp wattage (W)	: 19
Color temperature (K)	: 4000

Physical Specifications

Body	: Die-cast aluminium
Finishes	: Polyester painted
Reflector	: Mirror-metallized thermoplastic material
Thermal Dissipation	: Passive

Electrical Specifications

Glow wire (°C)	: 850
Voltage (V)	: 220/240
Frequency (Hz)	: 50/60

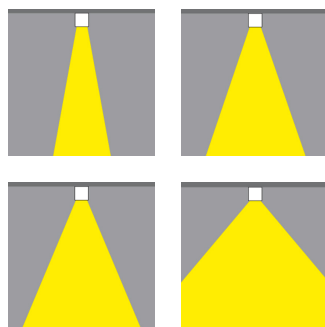
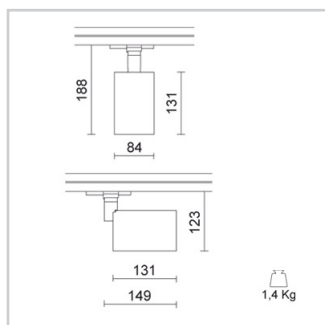
Weight and Dimensions

Shape	: Cylindrical
Length (mm)	: 84
Height (mm)	: 188
Weight (Kg)	: 1.4

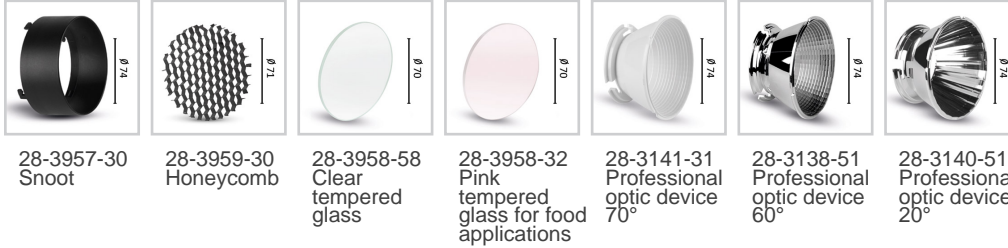
Optical Specifications


Light distribution	: Symmetric
Light emission	: Direct
Light beam	: 38°
Horizontal orientation	: 350°
Note	: Honeycomb code 28-3959-30, pink tempered glass for food applications code 28-3958-58, closing screen cod. 28-3958-58 to be used only together with snoot code 28-3957-30. 20°, 60° (mirror metallized), 70° (white) optics are available on demand.

Unified Glare Rating (U.G.R.)	: <19
-------------------------------	-------

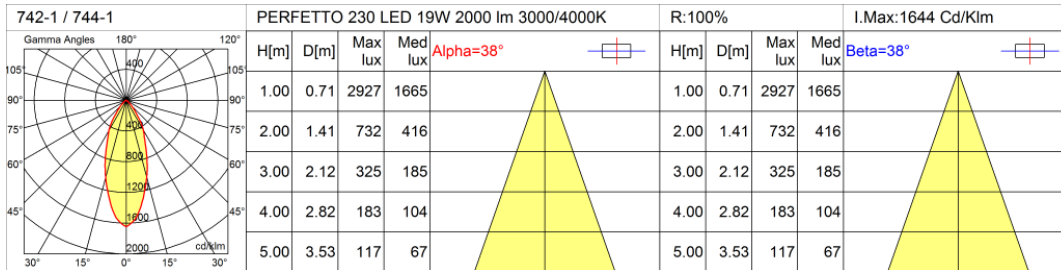


Accessories



Lamps	Lamp categories	Lamp type	Lamp wattage (W)	Nominal lumens on thermal regime (lm)	Color rendering (CRI)
	LED	COB LED	19	2000	80

Photometrics



Pictures and Applications

