


PERFETTO-IN 40 WITH LENS 2700K CRI90
Design: Studio Tecnico Ivela


| Product code | Color |
|--------------|-----------|
| 254-219CN-21 | Mat white |

General Specifications

| | |
|-----------------------|---|
| Product type | : Downlights |
| Mounting type | : Ceiling - recessed |
| Description | : Fixed downlight with no replaceable lens and prismatic spread lens, equipped with high power LED. Inner snoot in black thermoplastic material. LED drivers should be ordered separately for remote installation; the wattage of the fitting changes depending on the selected driver. |
| Indoor/outdoor lights | : Indoor |
| Applications | : Hospitality, Residential, Showrooms |

Lighting specifications

| | |
|----------------------------------|-----------------------------|
| Average lamp life (h) | : L80B10 50.000 |
| Lamp description | : LED 130lm 2W 2700K CRI 90 |
| Nominal lumens on thermal regime | : 130 |
| Lamp wattage (W) | : 2 |
| Color temperature (K) | : 2700 |

Physical Specifications

| | |
|---------------------|----------------------|
| Body | : Die-cast aluminium |
| Finishes | : Polyester painted |
| Thermal Dissipation | : Passive |

Electrical Specifications

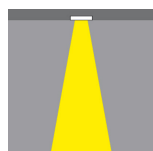
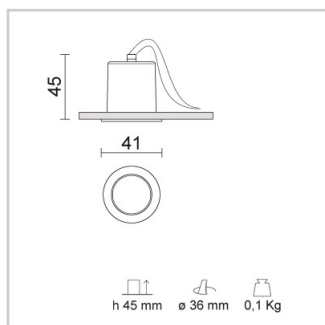
| | |
|-----------------|-----------------|
| Glow wire (°C) | : 850 |
| Driver | : Separate item |
| Driver mounting | : Remote |

Weight and Dimensions

| | |
|------------------------------|---------|
| Shape | : Round |
| External diameter (mm) | : 41 |
| False ceiling thickness (mm) | : 1-30 |
| Height (mm) | : 45 |
| Cutout shape | : Round |
| Cutout Diameter (mm) | : 36 |
| Recessed depth (mm) | : 45 |
| Weight (Kg) | : 0.1 |

Optical Specifications

| | |
|--------------------|---|
| Aiming | : Fixed |
| Light distribution | : Symmetric |
| Light emission | : Accent light |
| Light beam | : 14° |
| Note | : Satined gold snoot code 28-4105-100. White snoot code 28-4105-31. |



ACCESSORIES

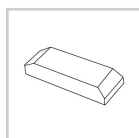


Product Code : 28-4105-100
Name : Satined gold snoot




Product Code : 28-4105-31
Name : White snoot

Drivers



Product Code : 81-04019
Name : Driver 500mA Constant current (max.20W)
description : Max 8 fittings (2W) can be connected to the driver.

Lamps

| Lamp categories | Lamp type | Lamp wattage (W) | Nominal lumens on thermal regime (lm) | Color temperature (K) | Color rendering (CRI) |
|--|-----------|------------------|---------------------------------------|-----------------------|-----------------------|
|  LED | LED | 2 | 130 | 2700 | 90 |

Pictures and Applications

