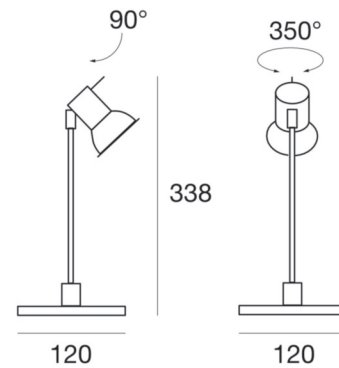




Table Lamps | 220-240 V | 1xGU10
1157



Technical data	
Installation position	Floor
Installation environment	Indoor
Lamp cap	1 x GU10 Max
Frequency	50-60 Hz
Optics	General Lighting
Light emission direction	downward
Safety class	2
IP	IP20
Glow wire test	850°
Direct mounting on normally flammable surfaces	Yes
CE	Yes
ETL	No
Induzione	No
Emergency mode	No
Motion sensor	No
Directional	Yes
Tilting	No
Walk-over	No
Drive-over	No
Cable included	No
Resin potting	No
Net weight	0.450 Kg

Finishing casing	
Materiale lega	Iron
Colour	chrome
Processing	Electroplating
Finishing mounting frame	
Materiale lega	Glass
Colour	transparent



Table Lamps | 220-240 V | 1xGU10
1157

Single emission table lamps for indoor application. Compatibility: LED lamp, halogen 42 W; lamp cap 1xGU10.

The device body is made of iron and features a chrome finish, processed by means of electroplating; the mounting frame is made of glass, with a transparent finish. The ingress protection degree is IP20; the total weight is of 0.450 kg.

The device features protection class II and can be floor-mounted.

Illuminotechnical Features	
Luminous flux (source)	300 lm
Colour temperature	2800 K
Colour rendering index	100 Ra