



Product code	Color
262-039BN-21	Mat white

General Specifications

Product type	: Downlights, Outdoor recessed
Mounting type	: Ceiling - recessed
Description	: Fixed downlight designed for COB LEDs, featuring a rearward optic for a high visual comfort. Inner snoot in black thermoplastic material. LED drivers should be ordered separately, the wattage of the fittings changes depending on the selected driver.
Indoor/outdoor lights	: Indoor
Applications	: Hospitality, Residential, Showrooms

Lighting specifications

Average lamp life (h)	: L80B10 50.000
Lamp description	: LED 1470lm 12W 3000K CRI90
Nominal lumens on thermal regime	: 1470
Efficiency L.O.R. (%)	: 58
Delivered lumens (lm)	: 853
Lamp wattage (W)	: 12
Color temperature (K)	: 3000

Physical Specifications

Body	: Die-cast aluminium
Finishes	: Polyester painted
Reflector	: Mirror-metallized thermoplastic material
Closing Screen	: Clear polycarbonate
Thermal Dissipation	: Passive

Electrical Specifications

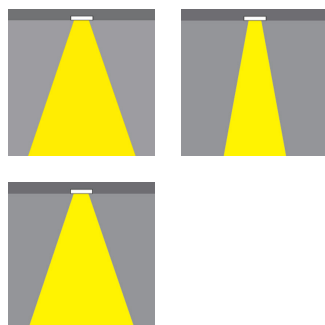
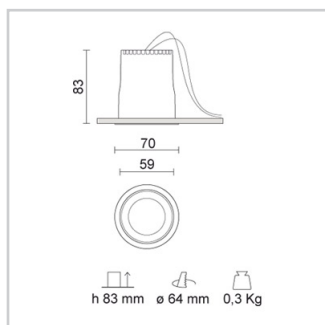
Glow wire (°C)	: 850
Driver	: Separate item
Driver mounting	: Remote

Weight and Dimensions

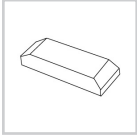
Shape	: Round
External diameter (mm)	: 70
False ceiling thickness (mm)	: 1-30
Height (mm)	: 83
Cutout shape	: Round
Cutout Diameter (mm)	: 64
Recessed depth (mm)	: 83
Weight (Kg)	: 0.3

Optical Specifications


Aiming	: Fixed
Light distribution	: Symmetric
Light emission	: Direct
Light beam	: 38°
Note	: Satined gold snoot code 28-4039-100. White snoot code 28-4039-31. Honeycomb code 28-4022-30 (to be used with the included closing screen). Prismatic spread lens code 28-4065-47 (to be used instead of the included closing screen). 21°, 28° (mirror metallized) optics are available on demand.
Unified Glare Rating (U.G.R.)	: <3



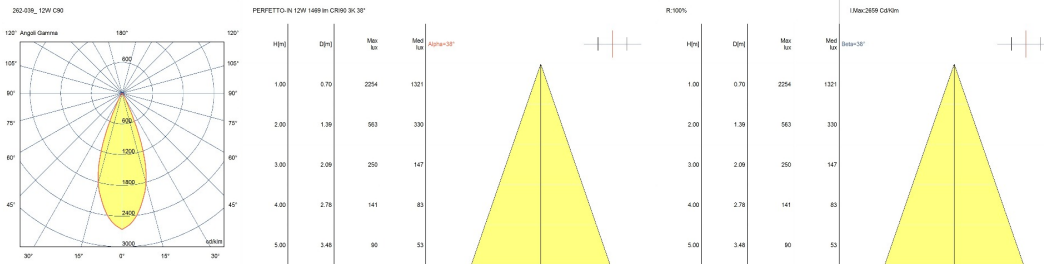
Drivers



Product Code : 81-02524
 Name : Driver 350mA Wireless Bluetooth dimmable
 description : Smart wireless Bluetooth system for managing the lighting system wireless.

Lamps	Lamp categories	Lamp type	Lamp wattage (W)	Nominal lumens on thermal regime (lm)	Color temperature (K)	Color rendering (CRI)
	LED	COB LED	12	1470	3000	90

Photometrics



Pictures and Applications

