



| Product code | Color |
|--------------|-----------|
| 262-039CN-21 | Mat white |

General Specifications

| | |
|-----------------------|---|
| Product type | : Downlights |
| Mounting type | : Ceiling - recessed |
| Description | : Fixed downlight designed for COB LEDs, featuring a rearward optic for a high visual comfort. Inner snoot in black thermoplastic material. LED drivers should be ordered separately, the wattage of the fittings changes depending on the selected driver. |
| Indoor/outdoor lights | : Indoor |
| Applications | : Hospitality, Residential, Showrooms |

Lighting specifications

| | |
|----------------------------------|------------------------------|
| Average lamp life (h) | : L80B10 50.000 |
| Lamp description | : LED 1430lm 12W 2700K CRI90 |
| Nominal lumens on thermal regime | : 1430 |
| Efficiency L.O.R. (%) | : 58 |
| Delivered lumens (lm) | : 830 |
| Lamp wattage (W) | : 12 |
| Color temperature (K) | : 2700 |

Physical Specifications

| | |
|---------------------|--|
| Body | : Die-cast aluminium |
| Finishes | : Polyester painted |
| Reflector | : Mirror-metallized thermoplastic material |
| Closing Screen | : Clear polycarbonate |
| Thermal Dissipation | : Passive |

Electrical Specifications

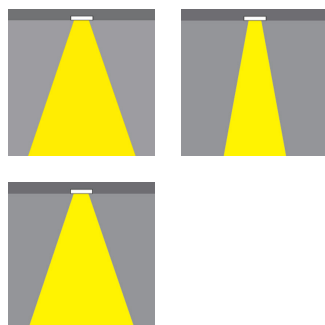
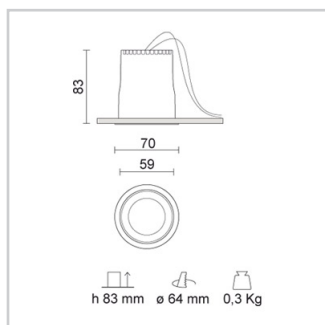
| | |
|-----------------|-----------------|
| Glow wire (°C) | : 850 |
| Driver | : Separate item |
| Driver mounting | : Remote |

Weight and Dimensions

| | |
|------------------------------|---------|
| Shape | : Round |
| External diameter (mm) | : 70 |
| False ceiling thickness (mm) | : 1-30 |
| Height (mm) | : 83 |
| Cutout shape | : Round |
| Cutout Diameter (mm) | : 64 |
| Recessed depth (mm) | : 83 |
| Weight (Kg) | : 0.3 |

Optical Specifications

| | |
|-------------------------------|--|
| Aiming | : Fixed |
| Light distribution | : Symmetric |
| Light emission | : Direct |
| Light beam | : 38° |
| Note | : Satined gold snoot code 28-4039-100. White snoot code 28-4039-31. Honeycomb code 28-4022-30 (to be used with the included closing screen). Prismatic spread lens code 28-4065-47 (to be used instead of the included closing screen). 21°, 28° (mirror metallized) optics are available on demand. |
| Unified Glare Rating (U.G.R.) | : <3 |



ACCESSORIES



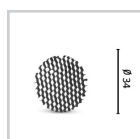
Product Code : 28-4039-100
 Name : Satined gold snout
 Finish : Satined gold painted
 Shape : Round



Product Code : 28-3901-51
 Name : Professional optic device 21°
 Finish : Mirror metallized
 Beam : 21°
 Shape : Round



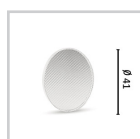
Product Code : 28-3902-51
 Name : Professional optic device 28°
 Finish : Mirror metallized
 Beam : 28°
 Shape : Round



Product Code : 28-4022-30
 Name : Honeycomb
 Finish : Black painted
 Shape : Round
 Notes : To be used only with the included closing screen.

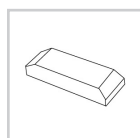


Product Code : 28-4039-31
 Name : White snout



Product Code : 28-4065-47
 Name : Prismatic spread lens
 Shape : Round

Drivers



Product Code : 81-04010
 Name : Driver 350mA Dimmable on the mains

Lamps

| Lamp categories | Lamp type | Lamp wattage (W) | Nominal lumens on thermal regime (lm) | Color temperature (K) | Color rendering (CRI) |
|-----------------|-----------|------------------|---------------------------------------|-----------------------|-----------------------|
|-----------------|-----------|------------------|---------------------------------------|-----------------------|-----------------------|

| | | | | | |
|-----|---------|----|------|------|----|
| LED | COB LED | 12 | 1430 | 2700 | 90 |
|-----|---------|----|------|------|----|

Pictures and Applications

