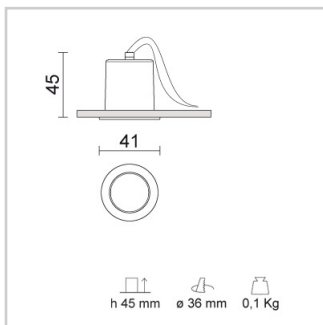



**PERFETTO-IN 40 3000K CRI90**
*Design: Studio Tecnico Ivela*


Product code	Color
254-209BN-21	Mat white

**General Specifications**

Product type	: Downlights
Mounting type	: Ceiling - recessed
Description	: Fixed downlight with prismatic spread lens, designed for the latest generation of COB LEDs . Inner snoot in black thermoplastic material. LED drivers should be ordered separately for remote installation.
Notes	: Max 4 fittings 4,5W can be connected to the driver of 500mA, code 81-04019.
Indoor/outdoor lights	: Indoor
Applications	: Hospitality, Residential, Showrooms

**Lighting specifications**

Average lamp life (h)	: L80B10 50.000
Lamp description	: LED 500lm 4,5W 3000K CRI 90
Nominal lumens on thermal regime	: 500
Lamp wattage (W)	: 4.5
Color temperature (K)	: 3000

**Physical Specifications**

Body	: Die-cast aluminium
Finishes	: Polyester painted
Thermal Dissipation	: Passive

**Electrical Specifications**

Glow wire (°C)	: 850
Driver	: Separate item
Driver mounting	: Remote

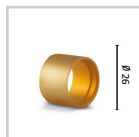
**Weight and Dimensions**

Shape	: Round
External diameter (mm)	: 41
False ceiling thickness (mm)	: 1-30
Height (mm)	: 45
Cutout shape	: Round
Cutout Diameter (mm)	: 36
Recessed depth (mm)	: 45
Weight (Kg)	: 0.1

**Optical Specifications**

Aiming	: Fixed
Light distribution	: Symmetric
Light emission	: Direct
Light beam	: 60°
Note	: Satined gold snoot code 28-4105-100. White snoot code 28-4105-31.

## ACCESSORIES

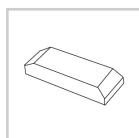


Product Code : 28-4105-100  
Name : Satined gold snoot




Product Code : 28-4105-31  
Name : White snoot

## Drivers



Product Code : 81-04019  
Name : Driver 500mA Constant current (max.20W)  
description : Max 4 fittings (4.5W) can be connected to the driver.

## Lamps

	Lamp categories	Lamp type	Lamp wattage (W)	Nominal lumens on thermal regime (lm)	Color temperature (K)	Color rendering (CRI)
	LED	COB LED	4.5	500	3000	90

## Pictures and Applications

