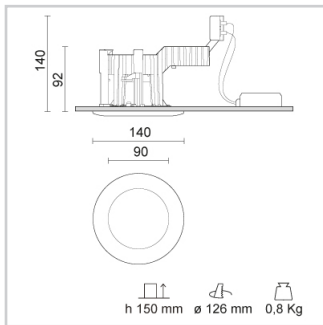
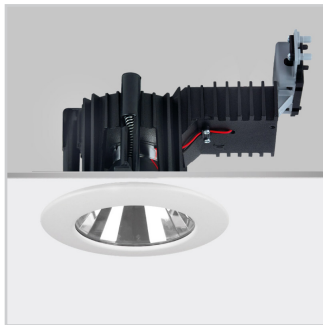




## RA 14 DIXIT LED EMERGENCY 3H ON DEMAND

Design: Studio Tecnico Ivela



### Product code

243-25E2-52  
243-25E2-21

### Color

Silver, on demand  
Mat white, on demand

### General Specifications

Product type : Downlights  
Mounting type : Ceiling - recessed  
Description : Fixed downlight for diffused lighting designed for the last generation of COB LEDs. 3h emergency version on demand. LED driver included. Protection rating IP44.

Indoor/outdoor lights : Indoor  
Applications : Accommodation facilities, Conference rooms, Hotels, Offices, Retail, Shopping centres, Showrooms

### Lighting specifications

Average lamp life (h) : L80B10 50.000  
Lamp description : LED 4900lm 38W 3000K  
Nominal lumens on thermal regime : 4900  
Efficiency L.O.R. (%) : 86,0  
Delivered lumens (lm) : 4214  
Lamp wattage (W) : 38  
Color temperature (K) : 3000

### Physical Specifications

Body : Die-cast aluminium  
Finishes : Polyester painted  
Reflector : Mirror-metallized thermoplastic material  
Closing Screen : Tempered safety glass 4 mm  
Thermal Dissipation : Passive  
Ring : Die-cast aluminium polyester painted

### Electrical Specifications

Glow wire (°C) : 850  
Emergency : Included  
Driver : Included  
Driver mounting : Remote  
Voltage (V) : 220/240  
Frequency (Hz) : 50/60

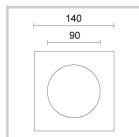
### Weight and Dimensions

Shape : Round  
External diameter (mm) : 140  
False ceiling thickness (mm) : 1-30  
Height (mm) : 140  
Cutout shape : Round  
Cutout Diameter (mm) : 126  
Recessed depth (mm) : 150  
Weight (Kg) : 0,8

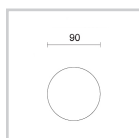
### Optical Specifications

Aiming : Fixed  
Light distribution : Symmetric  
Light emission : Direct  
Light beam : 60°  
Unified Glare Rating (U.G.R.) : <19


## ACCESSORIES



Product Code : 28-3403-21/52  
 Name : Square frame with clear glass  
 Finish : Polyester painted  
 Shape : Square



Product Code : 98-13380-61  
 Name : Sandblasted glass  
 Shape : Round

Lamps	Lamp categories	Lamp type	Lamp wattage (W)	Nominal lumens on thermal regime (lm)	Color temperature (K)	Color rendering (CRI)
	LED	COB LED	38	4900	3000	85

## Photometrics

## Pictures and Applications

