



Product code	Color
234-259BN-21	Mat white

General Specifications

Product type	: Downlights
Mounting type	: Ceiling - recessed
Description	: Fixed downlight for accent lighting, designed for the last generation of COB LEDs. LED drivers should be ordered separately, the wattage of the fittings changes depending on the selected driver. Protection rating IP44. Low glare level: UGR < 12.
Indoor/outdoor lights	: Indoor
Applications	: Residential, Retail , Shopping centres, Showrooms

Lighting specifications

Average lamp life (h)	: L80B10 50.000
Lamp description	: LED 1050lm 9W 3000K
Nominal lumens on thermal regime	: 1050
Efficiency L.O.R. (%)	: 87,7
Delivered lumens (lm)	: 921
Lamp wattage (W)	: 9
Color temperature (K)	: 3000

Physical Specifications

Body	: Die-cast aluminium
Finishes	: Polyester painted
Reflector	: Mirror-metallized thermoplastic material
Closing Screen	: Clear polycarbonate
Thermal Dissipation	: Passive

Electrical Specifications

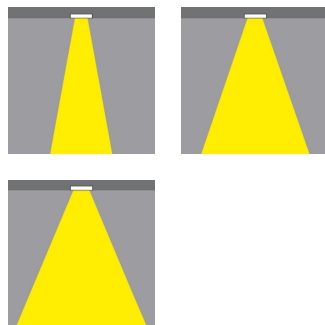
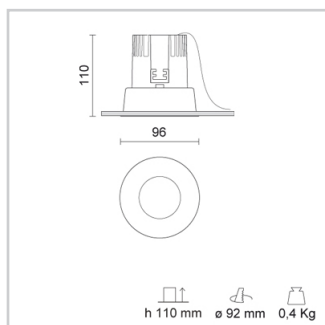
Glow wire (°C)	: 850
Driver	: Separate item
Driver mounting	: Remote

Weight and Dimensions

Shape	: Round
External diameter (mm)	: 96
False ceiling thickness (mm)	: 1-30
Height (mm)	: 110
Cutout shape	: Round
Cutout Diameter (mm)	: 92
Recessed depth (mm)	: 110
Weight (Kg)	: 0.4

Optical Specifications

Aiming	: Fixed
Light distribution	: Symmetric
Light emission	: Direct
Light beam	: 26°
Note	: 45° (mirror metallized), 65° (white) optics are available on demand.
Unified Glare Rating (U.G.R.)	: <12



ACCESSORIES

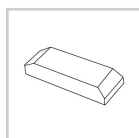


Product Code : 28-3868-31
 Name : Professional optic device 65°
 Finish : White
 Beam : 65°
 Shape : Round




Product Code : 28-3868-51
 Name : Professional optic device 45°
 Finish : Mirror metallized
 Beam : 45°
 Shape : Round

Drivers



Product Code : 81-04009
 Name : Driver 250mA

Lamps

	Lamp categories	Lamp type	Lamp wattage (W)	Nominal lumens on thermal regime (lm)	Color temperature (K)	Color rendering (CRI)
	LED	LED	9	1050	3000	90

Pictures and Applications

