


PERFETTO-IN 40 WITH LENS 3000K CRI90
Design: Studio Tecnico Ivela


Product code	Color
254-219BN-21	Mat white

General Specifications

Product type	: Downlights
Mounting type	: Ceiling - recessed
Description	: Fixed downlight with no replaceable lens and prismatic spread lens, equipped with high power LED. Inner snoot in black thermoplastic material. LED drivers should be ordered separately for remote installation; the wattage of the fitting changes depending on the selected driver.
Indoor/outdoor lights	: Indoor
Applications	: Commercial settings, Hospitality, Residential, Showrooms

Lighting specifications

Average lamp life (h)	: L80B10 50.000
Lamp description	: LED 150lm 2W 3000K CRI 90
Nominal lumens on thermal regime	: 150
Lamp wattage (W)	: 2
Color temperature (K)	: 3000

Physical Specifications

Body	: Die-cast aluminium
Finishes	: Polyester painted
Thermal Dissipation	: Passive

Electrical Specifications

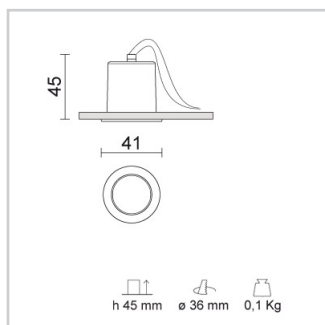
Glow wire (°C)	: 850
Driver	: Separate item
Driver mounting	: Remote

Weight and Dimensions

Shape	: Round
External diameter (mm)	: 41
False ceiling thickness (mm)	: 1-30
Height (mm)	: 45
Cutout shape	: Round
Cutout Diameter (mm)	: 36
Recessed depth (mm)	: 45
Weight (Kg)	: 0.1

Optical Specifications

Aiming	: Fixed
Light distribution	: Symmetric
Light emission	: Accent light
Light beam	: 14°
Note	: Satined gold snoot code 28-4105-100. White snoot code 28-4105-31.



ACCESSORIES

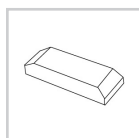


Product Code : 28-4105-100
Name : Satined gold snoot




Product Code : 28-4105-31
Name : White snoot

Drivers



Product Code : 81-04019
Name : Driver 500mA Constant current (max.20W)
description : Max 8 fittings (2W) can be connected to the driver.

Lamps

	Lamp categories	Lamp type	Lamp wattage (W)	Nominal lumens on thermal regime (lm)	Color temperature (K)	Color rendering (CRI)
	LED	LED	2	150	3000	90

Pictures and Applications

