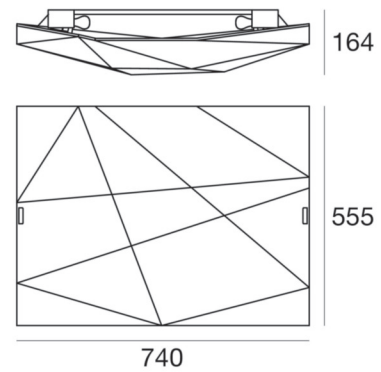




Ceiling Lights | 220-240 V | 4xE27
7478



Technical data	
Installation position	Ceiling
Installation environment	Indoor
Lamp cap	4 x E27 Max 46W
Frequency	50-60 Hz
Optics	General Lighting
Light emission direction	downward
Safety class	1
IP	IP20
Glow wire test	850°
Direct mounting on normally flammable surfaces	Yes
CE	Yes
ETL	No
Induzione	No
Emergency mode	No
Motion sensor	No
Directional	No
Tilting	No
Walk-over	No
Drive-over	No
Cable included	No
Resin potting	No
Net weight	5.500 Kg

Finishing casing	
Materiale lega	Iron
Colour	embossed white RAL 9003
Processing	Coating
Finishing diffuser	
Materiale lega	Glass
Colour	white
Processing	Sandblasting



Ceiling Lights | 220-240 V | 4xE27
7478

Double emission ceiling lights for indoor application. Compatibility: LED lamp, compact fluo 30 W, halogen 46 W; lamp cap 4xE27.

The device body is made of iron and features a embossed white ral 9003 finish, processed by means of coating; the diffuser is made of glass with a sandblasting treatment. The ingress protection degree is IP20; the total weight is of 5.500 kg.

The device features protection class I and can be ceiling-mounted.

Illuminotechnical Features	
Luminous flux (source)	2800 lm
Colour temperature	2800 K
Colour rendering index	100 Ra