



Product code	Colour
6124-10-30	Black
6124-10-31	White

**General Specifications**

Product type	: Spotlights
Mounting type	: Tracks
Description	: To apply low-voltage spotlights with pipe to the low voltage Light Kit ELV track, the Jack adapter must be ordered separately (code 6601-00).

Indoor/outdoor lights	: Indoor
-----------------------	----------

**Lighting specifications**

Lamp description	: HR 50W GU5,3 / MR16 4W LED GU5,3
Number of lamps	: 1

**Physical Specifications**

Body	: Die-cast aluminium
Finishes	: Polyester painted

**Electrical Specifications**

Transformer availability	: Separate item
Transformer mounting	: Remote
Transformer type	: Electromagnetic
Pipe (mm)	: 10

**Weight and Dimensions**

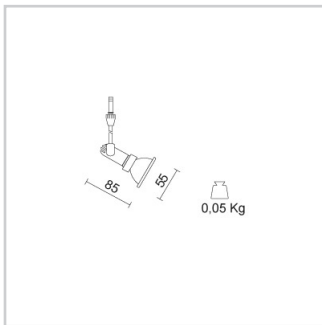
Length (mm)	: 85
Width (mm)	: 55
Weight (Kg)	: 0.05

**Optical Specifications**

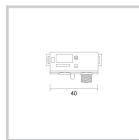
Aiming	: Adjustable
Light distribution	: Symmetric
Horizontal orientation	: 360°

**Lamps**

Number of heads	: 1
-----------------	-----



## Accessories



6601-00-30/31  
Jack adapter  
12V-5A

Lamps	Lamp categories	Lamp type	Lamp wattage (W)	Base	Nominal lumens on thermal regime (lm)	Color rendering (CRI)
	Low voltage	HR	50	GU5	1500	100
	Low voltage	HR	50	GU5	1200	100
	Low voltage	HR	50	GU5	750	100
	LED	MR 16	4	GU5		

## Pictures and Applications

