



FLEX



Product code	Colour
720-016-21	White
720-016-16	Black

General Specifications

Product type	: Spotlights
Mounting type	: LKM 3-phase track
Description	: For 3-phase tracks LKM
Indoor/outdoor lights	: Indoor
Applications	: Display areas, Shop windows, Showrooms

Lighting specifications

Lamp description	: IPAR30 75W E27
Lamp wattage (W)	: 75

Physical Specifications

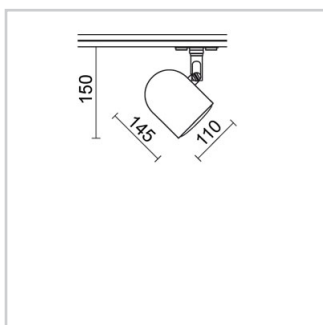
Body	: Pressed steel
Finishes	: Polyester painted

Weight and Dimensions


Width (mm)	: 110
Height (mm)	: 150
Weight (Kg)	: 0.5

Optical Specifications

Aiming	: Adjustable
Light distribution	: Symmetric
Light emission	: Direct



FLEX

Lamps	Lamp categories	Lamp type	Lamp wattage (W)	Base	Nominal lumens on thermal regime (lm)	Color rendering (CRI)
	Halogen	IPAR30	75	E27	6500	100

Pictures and Applications

