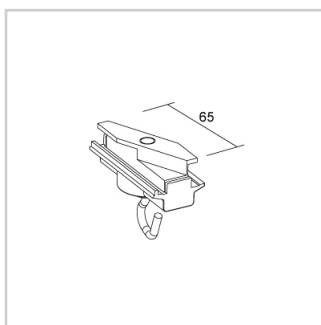




MECHANICAL ADAPTER WITH HOOK



Product code	Colour
7617-00-30/31/52	101
General Specifications	
Indoor/outdoor lights	: Indoor
Physical Specifications	
Packing quantity	: 10
Electrical Specifications	
Glow wire (°C)	: 850
Weight and Dimensions	
Length (mm)	: 65

Pictures and Applications

