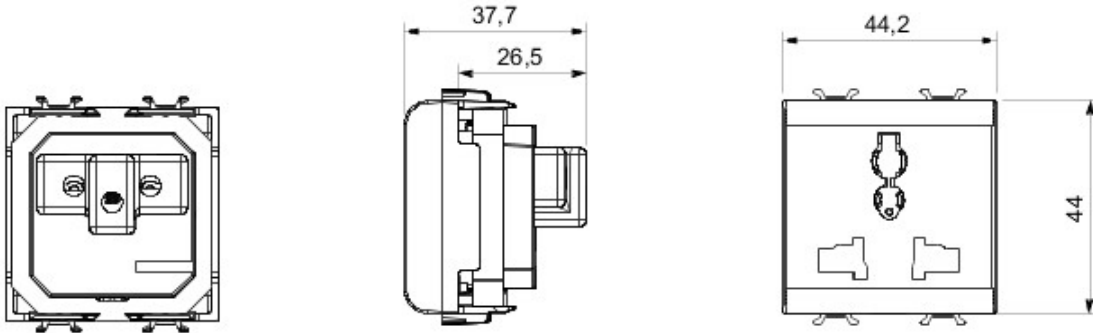




The multistandard energy sockets GW10310, GW12310, GW14310 are in compliance with the safety requirements defined by the International Standard IEC 60884-1. These sockets may not be in compliance with the standard sheets used in the country where they are sold. Hence their usage could be prohibited or however, restricted only for specific applications. The plugs allowed are listed here below: • Europlug standard 2.5A 2P (250V) • Chinese standard 10A 2P+E (250V) • Argentinean/Australian standard 10A 2P+E (250V) • British standard 13A 2P+E (250V) • Italian standard 10A 2P (250V) • USA standard 15A 2P+E (127V) • Indian standard 6A 2P+E (250V) • Danish standard 10A 2P (250V). WARNING: not suitable for 2P+E german and french sockets because they don't offer earth continuity.

Category	Socket-outlet	Description	2P+E - 13A/250 V ac - 15A/127 V ac
Colour	Titanium	Voltage	250/127 V ac
Standard	Multistandard	Characteristics	With safety shields
Wiring terminals	With screw	Standard	IEC 60884-1
Resistance at test voltage	2000 V at 50 Hz for 1 minute	Insulation resistance	> 5 MOhm
Prolonged operation socket (no.of position changes)	10.000 at In 250 V ac cos $\phi$ =0,8	Thermo-pressure with ball	125 °C
Glow Wire Test	850 °C	Terminal grip on cable traction	> 50 N
Terminal tightening capacity stranded cables (mm2)	min. 0,75 - max. 2x4	Terminal tightening capacity solid cables (mm2)	min. 0,5 - max. 2x2,5
No. Chorus modules	2	Electrocod	0131
Electrocod	0131		

### DIMENSIONAL



### TECHNICAL SYMBOLOGY

