

# PRODUCT DATASHEET

## P MR16 50 36° 7.2 W/2700K GU5.3

PARATHOM MR16 | Low-voltage LED reflector lamps MR16 with retrofit pin base



---

### AREAS OF APPLICATION

- Shops
- Hospitality
- Museums, art galleries
- Residential interiors
- As a downlight for marking walkways, doors, stairs, etc.
- Spotlighting for accents
- Display cabinets and shop windows
- Spotlighting heat-sensitive objects such as food, plants, etc.
- Outdoor applications only in suitable luminaires

---

### PRODUCT BENEFITS

- Long lifetime of up to 15,000 h
- Low energy consumption
- Easy replacement of halogen lamps due to compact full glass design and single optic
- Instant 100 % light, no warm-up time
- Ideal for economical spotlighting

---

### PRODUCT FEATURES

- Professional LED alternative to low voltage halogen lamps
- Made in Germany (versions up to 35 W)
- Mercury-free lamps



## TECHNICAL DATA

### Electrical data

Rated wattage	7.20 W
Nominal wattage	7.20 W
Nominal voltage	12 V
Claimed equiv. conventional lamp power	50 W
Max. lamp no. on circuit break. 10 A (B)	20
Max. lamp no. on circuit break. 16 A (B)	33
Power factor $\lambda$	> 0.50

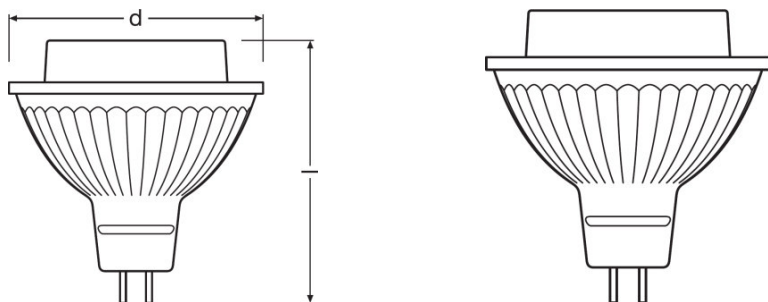
### Photometrical data

Luminous intensity [PIM]	1430 cd
Nominal luminous flux	621 lm
Rated luminous flux	621 lm
Rated color temperature	2700 K
Lumen main.fact.at end of nom.life time	0.70
Light color (designation)	Warm White
Color temperature	2700 K
Luminous flux	621 lm
Color rendering index Ra	$\geq 80$
Standard deviation of color matching	$\leq 6$ sdc
Color rendering index Ra	$\geq 80$
Nominal useful luminous flux 90°	621 lm
Rated useful luminous flux 90°	621 lm
Rated peak intensity	1430 cd

### Light technical data

Beam angle	36 °
Warm-up time (60 %)	< 0.50 s
Starting time	< 0.5 s
Nominal beam angle	36 °
Rated beam angle (half peak value)	36.00 °

Dimensions & weight



<b>Overall length</b>	53.0 mm
<b>Diameter</b>	51.0 mm
<b>Outer bulb</b>	MR51
<b>Length</b>	53.0 mm
<b>Maximum diameter</b>	51.0 mm

Temperatures & operating conditions

<b>Maximum temperature at tc test point</b>	90 °C
---	-------

Lifespan

<b>Nominal lamp life time</b>	15000 h
<b>Rated lamp life time</b>	15000 h
<b>Number of switching cycles</b>	100000

Additional product data

<b>Base (standard designation)</b>	GU5.3
<b>Mercury content</b>	0.0 mg
<b>Mercury-free</b>	Yes
<b>Show WEEE picto</b>	Yes
<b>Product remark</b>	All technical parameters apply to the entire lamp/Due to the complex production process for light-emitting diodes, the typical values shown for the technical LED parameters are purely statistical values that do not necessarily match the actual technical parameters of each individual product, which can vary from the typical value

Capabilities

<b>Dimmable</b>	No
-----------------	----

Certificates & standards

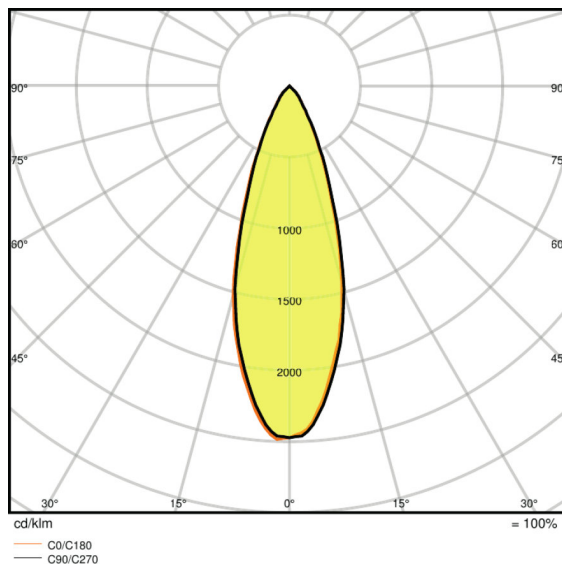
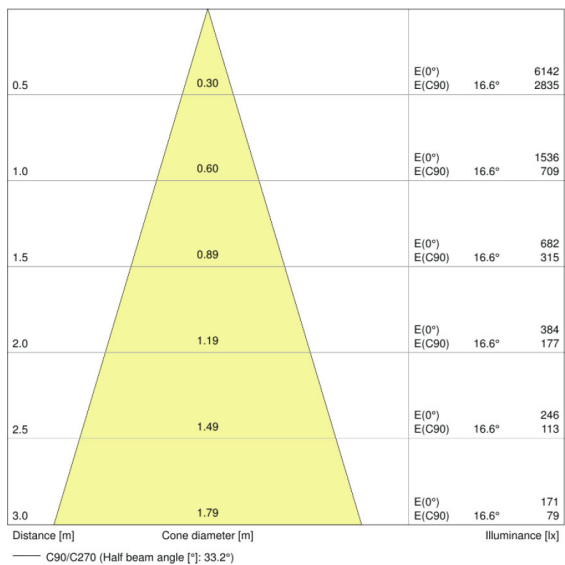
<b>Energy efficiency class</b>	A+
--------------------------------	----

<b>Energy consumption</b>	8 kWh/1000h
---------------------------	-------------

Country-specific categorizations

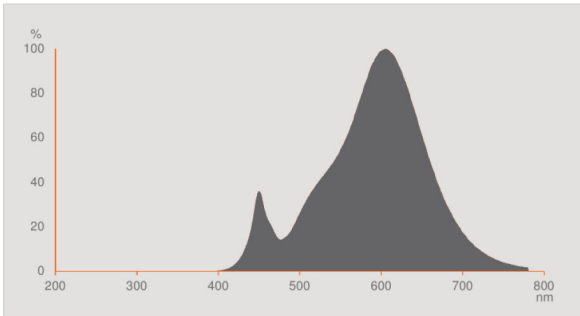
<b>ILCOS</b>	DRR-7,2/827-12-GU5,3-50/36
<b>Order reference</b>	LPMR165036 7,2W

Light Distribution



LDC typ cone

LDC typ polar



Spectral power distribution

**EQUIPMENT / ACCESSORIES**

- Equipped with high-power LEDs

**LOGISTICAL DATA**

Product code	Packaging unit (Pieces/Unit)	Dimensions (length x width x height)	Gross weight	Volume
4052899957817	Folding carton box 1	49 mm x 49 mm x 62 mm	72.00 g	0.15 dm <sup>3</sup>
4052899958517	Shipping carton box 10	255 mm x 107 mm x 72 mm	761.00 g	1.96 dm <sup>3</sup>

The mentioned product code describes the smallest quantity unit which can be ordered. One shipping unit can contain one or more single products. When placing an order, for the quantity please enter single or multiples of a shipping unit.

**REFERENCES / LINKS**

For further products and actual information concerning LED lamps see

- ▶ [www.ledvance.com/ledlamps](http://www.ledvance.com/ledlamps)

For Guarantee see

- ▶ [www.ledvance.com/guarantee](http://www.ledvance.com/guarantee)

Further information see

- ▶ [www.ledvance.com/low-voltage-ledlamps](http://www.ledvance.com/low-voltage-ledlamps)

**DISCLAIMER**

Subject to change without notice. Errors and omission excepted. Always make sure to use the most recent release.