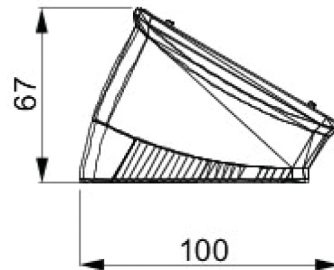
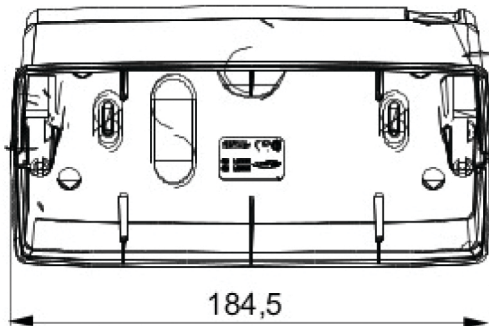




A range of free-standing, wall-mounting and empty self-supporting boxes, suitable to mount the Chorus modular devices. The free-standing and the wall-mounting boxes, available in white and black colors, have to be completed with Chorus frame supports and One plates. The self-supporting boxes, made in grey RAL 7035, are available with IP40 and IP55 degree of protection: both are arranged with removable knockouts, furthermore the watertight version is provided with a UV-resistant transparent membrane. Boxes and self-supporting enclosures are arranged for fixing the earth terminal.

Description	6 gang	Colour	Black
Support	GW16806	Suitable for plates	ONE
Torque screws tightening	0.8 NM	Outer dim. LxHxD (mm)	181x90x69
Glow wire test	650 °C	Thermo-pressure with ball	70 °C
Standard	EN 60670-1	Electrocod	0122

DIMENSIONAL



TECHNICAL SYMBOLOGY



STANDARDS/APPROVALS

