



Product code	Colour
738-910-21	Mat white
738-910-52	Silver, on demand
738-910-16	Black

**General Specifications**

Product type	: Spotlights
Mounting type	: LKM 3-phase track
Description	: DRIM LED 230 is a compact spotlight for LKM electrified tracks, equipped with main voltage COB LED, without driver. Drim Led 230 is dimmable on the mains (230V). It can rotate up to 35° with respect to the horizontal axis and pivot up to 45° upwards and 90° downwards. Accessoried with optics for other beams.

Indoor/outdoor lights	: Indoor
Applications	: Museums, Retail, Shopping centres, Showrooms

**Lighting specifications**

Average lamp life (h)	: 50.000
Lamp description	: LED 2000lm 19W 3000K
Nominal lumens on thermal regime	: 2000
Efficiency L.O.R. (%)	: 88,8
Delivered lumens (lm)	: 1776
Lamp wattage (W)	: 19
Color temperature (K)	: 3000

**Physical Specifications**

Body	: Die-cast aluminium
Finishes	: Polyester painted
Reflector	: Mirror-metallized thermoplastic material

**Electrical Specifications**

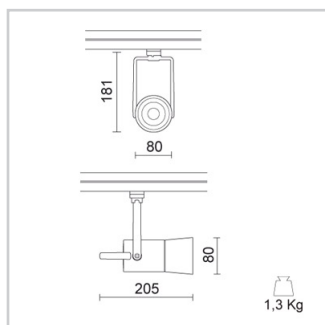
Glow wire (°C)	: 850
Voltage (V)	: 220/240
Frequency (Hz)	: 50/60

**Weight and Dimensions**

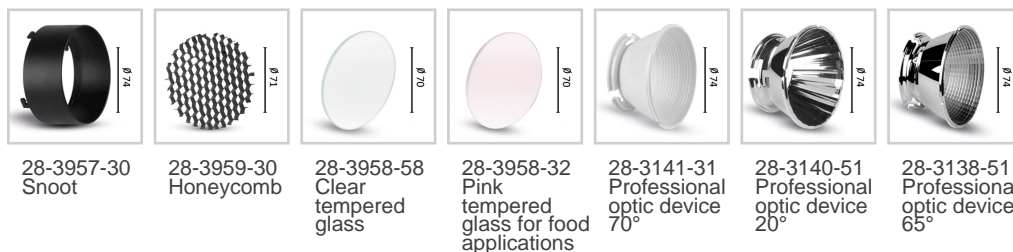
Length (mm)	: 205
Height (mm)	: 181
Weight (Kg)	: 1.3


**Optical Specifications**

Light distribution	: Symmetric
Light emission	: Direct
Light beam	: 38°
Note	: Honeycomb code 28-3959-30, pink tempered glass for food applications code 28-3958-58, closing screen cod. 28-3958-58 to be used only together with snoot code 28-3957-30. 20°, 65° (mirror metallized), 70° (white) optics are available on demand.



## Accessories



Lamps	Lamp categories	Lamp type	Lamp wattage (W)	Nominal lumens on thermal regime (lm)	Color rendering (CRI)
	LED	COB LED	19	2000	80

## Pictures and Applications

