

PRODUCT FAMILY DATASHEET

PARATHOM PRO MR16

Dimmable low-voltage LED reflector lamps MR16 with retrofit pin base



AREAS OF APPLICATION

- Shops
- Hospitality
- Museums, art galleries
- Residential interiors
- As a downlight for marking walkways, doors, stairs, etc.
- Spotlighting for accents
- Display cabinets and shop windows
- Spotlighting heat-sensitive objects such as food, plants, etc.
- Outdoor applications only in suitable luminaires

PRODUCT BENEFITS

- Short payback period thanks to low energy consumption and maintenance costs
- Premium light quality thanks to high color rendering index and narrow binning
- Easy replacement of halogen lamps due to compact full glass design and single optic

PRODUCT FEATURES

- Very high color rendering ($R_a : 90$)
- Very high color consistency: ≤ 4 SDCM
- Dimmable (with many common dimmers, see also www.ledvance.com/dim)
- Made in Germany (versions up to 20 W)
- Mercury-free lamps



TECHNICAL DATA

Product description	Electrical data			Photometrical data							
	Nominal wattage	Nominal voltage	Claimed equiv. conventional lamp power	Nominal luminous flux	Rated luminous flux	Color temperature	Lumen main.fact.at end of nom.life time	Light color (designation)	Color temperature	Luminous flux	Color rendering index Ra
P MR16 20 36° DIM 4.5 W/2700K GU5.3 ¹⁾	4.50 W	12 V	20 W	230 lm	230 lm	2700 K	0.70	Warm White	2700 K	230 lm	97
P MR16 20 36° DIM 4.5 W/3000K GU5.3 ¹⁾	4.50 W	12 V	20 W	230 lm	230 lm	3000 K	0.70	Warm White	3000 K	230 lm	97
P MR16 20 36° DIM 4.5 W/4000K GU5.3 ¹⁾	4.50 W	12 V	20 W	230 lm	230 lm	4000 K	0.70	Cool White	4000 K	230 lm	97
PPRO MR16 20 36° DIM 5 W/4000K GU5.3 ¹⁾	5.00 W	12 V	20 W	230 lm	230 lm	4000 K	0.70	Cold White	4000 K	230 lm	≥90
PPRO MR16 35 36° 6.3 W/2700K GU5.3 DIM ¹⁾	6.30 W	12 V	35 W	350 lm	350 lm	2700 K	0.70	Warm White	2700 K	350 lm	97
PPRO MR16 35 36° 6.3 W/3000K GU5.3 DIM ¹⁾	6.30 W	12 V	35 W	350 lm	350 lm	3000 K	0.70	Warm White	3000 K	350 lm	97
PPRO MR16 35 36° 6.3 W/4000K GU5.3 DIM ¹⁾	6.30 W	12 V	35 W	350 lm	350 lm	4000 K	0.70	Cool White	4000 K	350 lm	97
PPRO MR16 43 36° DIM 7.8 W/2700K GU5.3 ¹⁾	7.80 W	12 V	43 W	500 lm	500 lm	2700 K	0.70	Warm White	2700 K	500 lm	97
PPRO MR16 43 36° DIM 7.8 W/3000K GU5.3 ¹⁾	7.80 W	12 V	43 W	500 lm	500 lm	3000 K	0.70	Warm White	3000 K	500 lm	97
PPRO MR16 43 36° DIM 7.8 W/4000K GU5.3 ¹⁾	7.80 W	12 V	43 W	500 lm	500 lm	4000 K	0.70	Cool White	4000 K	500 lm	97

Product description	Luminous intensity [PIM]	Light technical data		Dimensions & weight		Temperatures & operating conditions	Lifespan	
		Beam angle	Warm-up time (60 %)	Overall length	Diameter	Maximum temperature at tc test point	Nominal lamp life time	Number of switching cycles
P MR16 20 36° DIM 4.5 W/2700K GU5.3 ¹⁾		36 °	< 0.50 s	46.0 mm	51.0 mm	80 °C	40000 h	1000000
P MR16 20 36° DIM 4.5 W/3000K GU5.3 ¹⁾		36 °	< 0.50 s	46.0 mm	51.0 mm	80 °C	40000 h	1000000

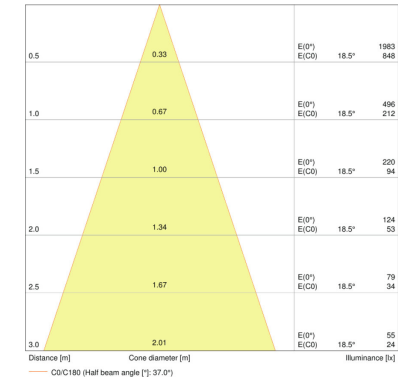
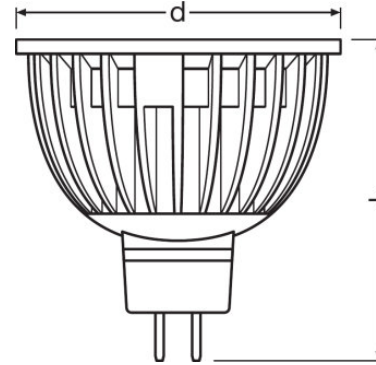
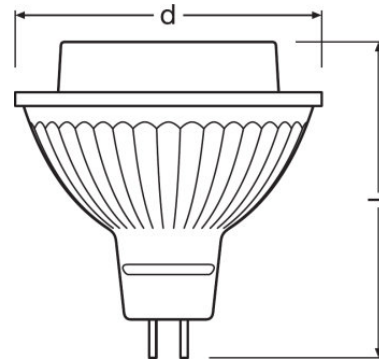
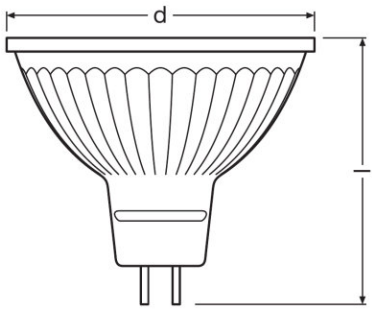
Product description	Luminous intensity [PIM]	Light technical data		Dimensions & weight		Temperatures & operating conditions	Lifespan	
		Beam angle	Warm-up time (60 %)	Overall length	Diameter	Maximum temperature at tc test point	Nominal lamp life time	Number of switching cycles
P MR16 20 36° DIM 4.5 W/4000K GU5.3 ¹⁾		36 °	< 0.50 s	46.0 mm	51.0 mm	80 °C	40000 h	1000000
PPRO MR16 20 36° DIM 5 W/4000K GU5.3 ¹⁾	500 cd	36 °	0.50 s	46.0 mm	51.0 mm	77 °C	40000 h	100000
PPRO MR16 35 36° 6.3 W/2700K GU5.3 DIM ¹⁾		36 °	< 0.50 s	53.0 mm	51.0 mm	80 °C	40000 h	1000000
PPRO MR16 35 36° 6.3 W/3000K GU5.3 DIM ¹⁾		36 °	< 0.50 s	53.0 mm	51.0 mm	80 °C	40000 h	1000000
PPRO MR16 35 36° 6.3 W/4000K GU5.3 DIM ¹⁾		36 °	< 0.50 s	53.0 mm	51.0 mm	80 °C	40000 h	1000000
PPRO MR16 43 36° DIM 7.8 W/2700K GU5.3 ¹⁾		36 °	< 0.50 s	53.0 mm	51.0 mm	90 °C	40000 h	1000000
PPRO MR16 43 36° DIM 7.8 W/3000K GU5.3 ¹⁾		36 °	< 0.50 s	53.0 mm	51.0 mm	90 °C	40000 h	1000000
PPRO MR16 43 36° DIM 7.8 W/4000K GU5.3 ¹⁾		36 °	< 0.50 s	53.0 mm	51.0 mm	90 °C	40000 h	1000000

Product description	Additional product data			Capabilities	Certificates & standards		Country-specific categorizations
	Base (standard designation)	Mercury content	Mercury-free	Dimmable	Energy efficiency class	Energy consumption	ILCOS
P MR16 20 36° DIM 4.5 W/2700K GU5.3 ¹⁾	GU5.3	0.0 mg	Yes	Yes	A	5 kWh/1000h	
P MR16 20 36° DIM 4.5 W/3000K GU5.3 ¹⁾	GU5.3	0.0 mg	Yes	Yes	A	5 kWh/1000h	
P MR16 20 36° DIM 4.5 W/4000K GU5.3 ¹⁾	GU5.3	0.0 mg	Yes	Yes	A	5 kWh/1000h	
PPRO MR16 20 36° DIM 5 W/4000K GU5.3 ¹⁾	GU5.3	0.0 mg	Yes	Yes ²⁾	A	5 kWh/1000h	DRR-5-12-GU5,3-50/36
PPRO MR16 35 36° 6.3 W/2700K GU5.3 DIM ¹⁾	GU5.3	0.0 mg	Yes	Yes	A	7 kWh/1000h	

Product description	Additional product data			Capabilities	Certificates & standards		Country-specific categorizations
	Base (standard designation)	Mercury content	Mercury-free	Dimmable	Energy efficiency class	Energy consumption	ILCOS
PPRO MR16 35 36° 6.3 W/3000K GU5.3 DIM ¹⁾	GU5.3	0.0 mg	Yes	Yes	A	7 kWh/1000h	
PPRO MR16 35 36° 6.3 W/4000K GU5.3 DIM ¹⁾	GU5.3	0.0 mg	Yes	Yes	A	7 kWh/1000h	
PPRO MR16 43 36° DIM 7.8 W/2700K GU5.3 ¹⁾	GU5.3	0.0 mg	Yes	Yes	A	8 kWh/1000h	
PPRO MR16 43 36° DIM 7.8 W/3000K GU5.3 ¹⁾	GU5.3	0.0 mg	Yes	Yes	A	8 kWh/1000h	
PPRO MR16 43 36° DIM 7.8 W/4000K GU5.3 ¹⁾	GU5.3	0.0 mg	Yes	Yes	A	8 kWh/1000h	

¹⁾ All technical parameters apply to the entire lamp/Due to the complex production process for light-emitting diodes, the typical values shown for the technical LED parameters are purely statistical values that do not necessarily match the actual technical parameters of each individual product, which can vary from the typical value

²⁾ With many common dimmers, see also www.ledvance.com/dim

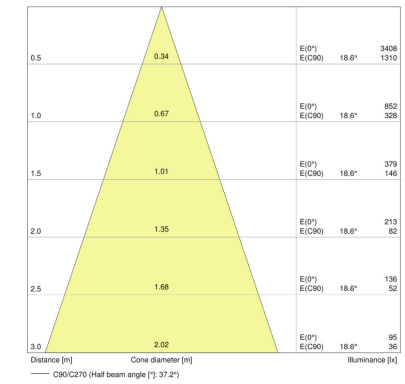
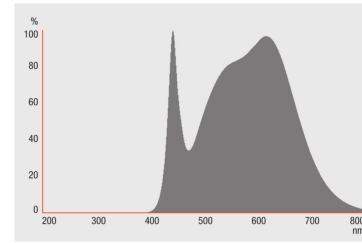
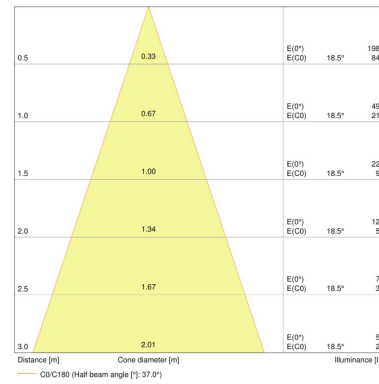
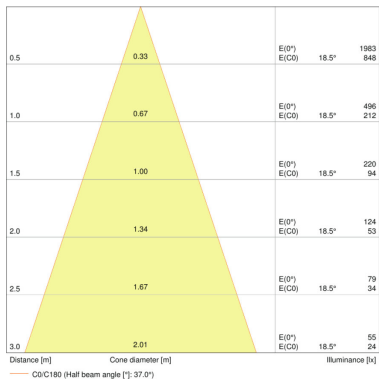


P MR16 20 36° DIM 4.5 W/2700K GU5.3,
 P MR16 20 36° DIM 4.5 W/3000K GU5.3,
 P MR16 20 36° DIM 4.5 W/4000K GU5.3,
 PPRO MR16 20 36° DIM 5 W/4000K
 GU5.3

PPRO MR16 35 36° 6.3 W/2700K GU5.3
 DIM, PPRO MR16 35 36° 6.3 W/3000K
 GU5.3 DIM, PPRO MR16 35 36° 6.3
 W/4000K GU5.3 DIM

PPRO MR16 43 36° DIM 7.8 W/2700K
 GU5.3, PPRO MR16 43 36° DIM 7.8
 W/3000K GU5.3, PPRO MR16 43 36°
 DIM 7.8 W/4000K GU5.3

P MR16 20 36° DIM 4.5 W/2700K GU5.3

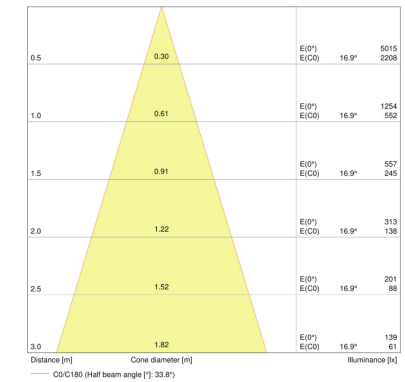
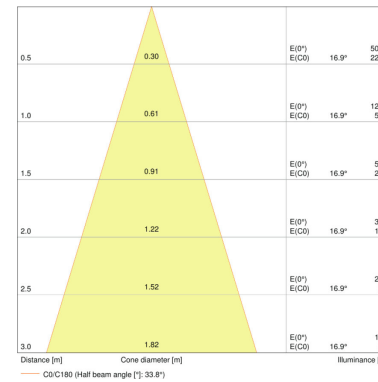
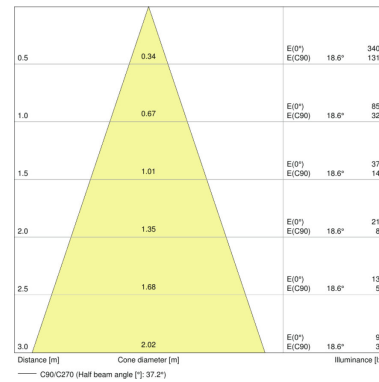
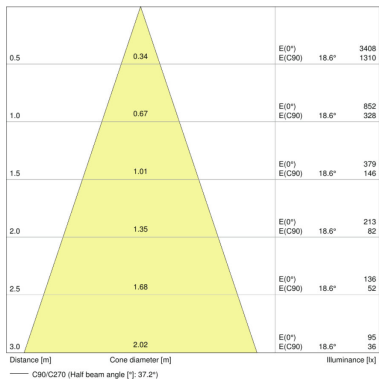


P MR16 20 36° DIM 4.5 W/3000K GU5.3

P MR16 20 36° DIM 4.5 W/4000K GU5.3

PPRO MR16 20 36° DIM 5 W/4000K GU5.3

PPRO MR16 35 36° 6.3 W/2700K GU5.3 DIM

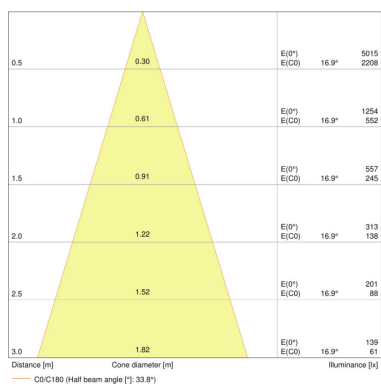


PPRO MR16 35 36° 6.3 W/3000K GU5.3 DIM

PPRO MR16 35 36° 6.3 W/4000K GU5.3 DIM

PPRO MR16 43 36° DIM 7.8 W/2700K GU5.3

PPRO MR16 43 36° DIM 7.8 W/3000K GU5.3



PPRO MR16 43 36° DIM 7.8 W/4000K
GU5.3

APPLICATION ADVICE

For more detailed application information and graphics please see product datasheet.

LOGISTICAL DATA

Product code	Packaging unit (Pieces/Unit)	Dimensions (length x width x height)	Gross weight	Volume
4058075095670	Shipping carton box 10	257 mm x 110 mm x 70 mm	498.00 g	1.98 dm ³
4058075095656	Shipping carton box 10	257 mm x 110 mm x 70 mm	498.00 g	1.98 dm ³
4058075095632	Shipping carton box 10	257 mm x 110 mm x 70 mm	498.00 g	1.98 dm ³
4058075815445	Shipping carton box 10	255 mm x 107 mm x 72 mm	492.00 g	1.96 dm ³
4058075095007	Shipping carton box 10	255 mm x 107 mm x 72 mm	780.00 g	1.96 dm ³

Product code	Packaging unit (Pieces/Unit)	Dimensions (length x width x height)	Gross weight	Volume
4058075094987	Shipping carton box 10	255 mm x 107 mm x 72 mm	780.00 g	1.96 dm ³
4058075094925	Shipping carton box 10	255 mm x 107 mm x 72 mm	780.00 g	1.96 dm ³
4058075095076	Shipping carton box 10	255 mm x 107 mm x 72 mm	780.00 g	1.96 dm ³
4058075095052	Shipping carton box 10	255 mm x 107 mm x 72 mm	780.00 g	1.96 dm ³
4058075095021	Shipping carton box 10	255 mm x 107 mm x 72 mm	780.00 g	1.96 dm ³

The mentioned product code describes the smallest quantity unit which can be ordered. One shipping unit can contain one or more single products. When placing an order, for the quantity please enter single or multiples of a shipping unit.

REFERENCES / LINKS

For dimming conformity see

▶ www.ledvance.com/dim

For further products and actual information concerning LED lamps see

▶ www.ledvance.com/ledlamps

For Guarantee see

▶ www.ledvance.com/guarantee

Further information see

▶ www.ledvance.com/low-voltage-ledlamps

DISCLAIMER

Subject to change without notice. Errors and omission excepted. Always make sure to use the most recent release.