

# PRODUCT FAMILY DATASHEET

## HALOPAR 20 E27

Halogen lamps with parabolic reflector PAR20, with E27 screw base



---

### AREAS OF APPLICATION

- General illumination
- Kitchen lighting
- Dining table lighting
- Object lighting
- Accent lighting
- Shops
- Restaurants, hotels and similar prestigious applications

---

### PRODUCT BENEFITS

- Brilliant accent light
- With whole glass reflector for brilliant lighting effects
- Instant 100 % light, no warm-up time
- Approved for use in open luminaires (to IEC 60598-1)
- Contains no mercury
- UV filter

---

### PRODUCT FEATURES

- Average life: 2,000 h
- 100 % dimmable
- Perfect color rendering ( $R_a$ : 100)
- Color temperature: 2,800 K

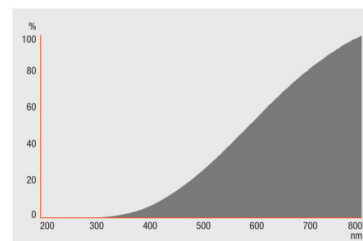
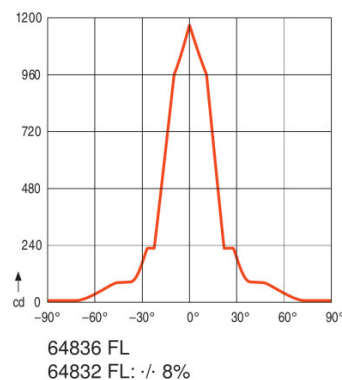
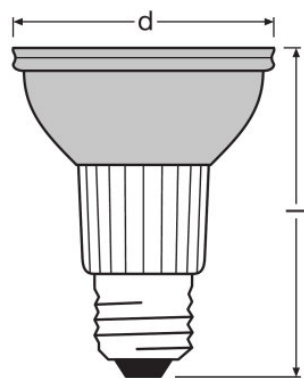
TECHNICAL DATA

Product description	Electrical data				Photometrical data				Light technical data		
	Nominal wattage	Nominal voltage	Rated wattage	Power factor $\lambda$	Nominal useful luminous flux 90°	Color temperature	Color rendering index Ra	Lumen main.fact.at end of nom.life time	Beam angle	Starting time	Warm-up time (60 %)
HALOPAR 20 50 W 230 V 10° E27 <sup>1)</sup>	50.00 W	230.0 V	50.00 W	1.00	350 lm	2800 K	100	0.75	10 °	0.0 s	0.00 s
HALOPAR 20 50 W 230 V 30° E27 <sup>1)</sup>	50.00 W	230.0 V	50.00 W	1.00	350 lm	2800 K	100	0.75	30 °	0.0 s	0.00 s
HALOPAR 20 50 W 240 V 30° E27 <sup>1)</sup>	50.00 W	240 V	50.00 W	1.00	350 lm	2800 K	100	0.75	30 °	0.0 s	0.00 s
HALOPAR 20 50 W 230 V 30° E27 <sup>1)</sup>	50.00 W	230 V	50.00 W	1.00	350 lm	2800 K	100	0.75	30 °	0.0 s	0.00 s

Product description	Dimensions & weight		Lifespan			Additional product data			Capabilities
	Diameter	Overall length	Nominal lamp life time	Rated lamp life time	Number of switching cycles	Base (standard designation)	Mercury content	Mercury-free	Burning position
HALOPAR 20 50 W 230 V 10° E27 <sup>1)</sup>	64.5 mm	90.0 mm	2000 h	2000 h	50000	E27	0.0 mg	Yes	Any
HALOPAR 20 50 W 230 V 30° E27 <sup>1)</sup>	64.5 mm	90.0 mm	2000 h	2000 h	50000	E27	0.0 mg	Yes	Any
HALOPAR 20 50 W 240 V 30° E27 <sup>1)</sup>	64.5 mm	90.0 mm	2000 h	2000 h	50000	E27	0.0 mg	Yes	Any
HALOPAR 20 50 W 230 V 30° E27 <sup>1)</sup>	64.5 mm	90.0 mm	2000 h	2000 h	50000	E27	0.0 mg	Yes	Any

Product description	Dimmable	Certificates & standards		Country-specific categorizations
		Energy efficiency class	Energy consumption	ILCOS
HALOPAR 20 50 W 230 V 10° E27 <sup>1)</sup>	Yes	D	50 kWh/1000h	HAGS/UB-50-230-E27-64,5/10
HALOPAR 20 50 W 230 V 30° E27 <sup>1)</sup>	Yes	D	50 kWh/1000h	HAGS/UB-50-230-E27-64,5/30
HALOPAR 20 50 W 240 V 30° E27 <sup>1)</sup>	Yes	D	50 kWh/1000h	HAGS/UB-50-240-E27-64,5/30
HALOPAR 20 50 W 230 V 30° E27 <sup>1)</sup>	Yes	D	50 kWh/1000h	HAGS/UB-50-230-E27-64,5/30

<sup>1)</sup> Not suitable for outdoor use or damp conditions/Banned from 1.9.2016 as per EU phase-out plan



HALOPAR 20 50 W 230 V 10° E27,  
HALOPAR 20 50 W 230 V 30° E27,  
HALOPAR 20 50 W 240 V 30° E27,  
HALOPAR 20 50 W 230 V 30° E27

HALOPAR 20 50 W 230 V 30° E27

HALOPAR 20 50 W 230 V 10° E27,  
HALOPAR 20 50 W 230 V 30° E27,  
HALOPAR 20 50 W 240 V 30° E27,  
HALOPAR 20 50 W 230 V 30° E27

### APPLICATION ADVICE

For more detailed application information and graphics please see product datasheet.

### LOGISTICAL DATA

Product code	Product description	Packaging unit (Pieces/Unit)	Dimensions (length x width x height)	Volume	Gross weight
4050300406800	HALOPAR 20 50 W 230 V 10° E27	Shipping carton box 15	331 mm x 105 mm x 199 mm	6.92 dm <sup>3</sup>	2216.00 g
4050300406824	HALOPAR 20 50 W 230 V 30° E27	Shipping carton box 15	331 mm x 105 mm x 199 mm	6.92 dm <sup>3</sup>	2021.00 g
4050300435282	HALOPAR 20 50 W 240 V 30° E27	Shipping carton box 15	331 mm x 105 mm x 199 mm	6.92 dm <sup>3</sup>	2021.00 g
4050300406862	HALOPAR 20 50 W 230 V 30° E27	Shipping carton box 15	331 mm x 105 mm x 199 mm	6.92 dm <sup>3</sup>	2021.00 g

Product code	Product description	Packaging unit (Pieces/Unit)	Dimensions (length x width x height)	Volume	Gross weight
--------------	---------------------	------------------------------	--------------------------------------	--------	--------------

The mentioned product code describes the smallest quantity unit which can be ordered. One shipping unit can contain one or more single products. When placing an order, for the quantity please enter single or multiples of a shipping unit.

---

#### DISCLAIMER

Subject to change without notice. Errors and omission excepted. Always make sure to use the most recent release.