

# PRODUCT FAMILY DATASHEET

## HALOPAR 16 GU10/GZ10

Halogen lamps with parabolic reflector PAR16, with GU10/GZ10 base



---

### AREAS OF APPLICATION

- General illumination
- Shops
- Restaurants, hotels and similar prestigious applications

---

### PRODUCT BENEFITS

- Brilliant accent light
- With whole glass reflector for brilliant lighting effects
- Approved for use in open luminaires (to IEC 60598-1)
- No transformer required
- UV filter
- Innovative bulb pinch technology for the burner
- Complies with IEC 60432-2 thanks to integrated fuse function
- Contains no mercury

---

### PRODUCT FEATURES

- Average life: 2,000 h
- 100 % dimmable
- Color rendering index  $R_a$ : 100
- Base: GU10, GZ10

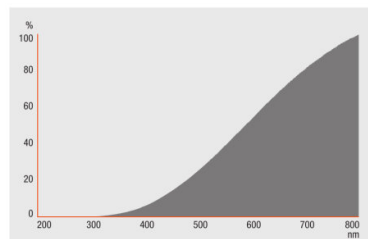
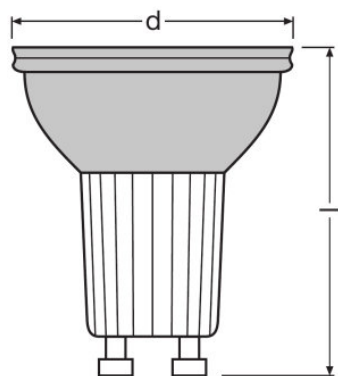
TECHNICAL DATA

| Product description                          | Electrical data |                 |               |                        | Photometrical data               |                   |                          |   | Light technical data |               |                     |
|--|-----------------|-----------------|---------------|------------------------|----------------------------------|-------------------|--------------------------|---|----------------------|---------------|---------------------|
|  | Nominal wattage | Nominal voltage | Rated wattage | Power factor $\lambda$ | Nominal useful luminous flux 90° | Color temperature | Color rendering index Ra | Lumen main.fact.at end of nom.life time | Beam angle           | Starting time | Warm-up time (60 %) |
| HALOPAR 16 35 W 230 V 35° GU10 <sup>1)</sup> | 35.00 W         | 230 V           | 35.00 W       | 1.00                   | 190 lm                           | 2700 K            | 100                      | 0.75                                    | 35 °                 | 0.0 s         |                     |
| HALOPAR 16 35 W 240 V 35° GU10 <sup>1)</sup> | 35.00 W         | 240 V           | 35.00 W       | 1.00                   | 190 lm                           | 2700 K            | 100                      | 0.75                                    | 35 °                 | 0.0 s         |                     |
| HALOPAR 16 50 W 120 V 35° GU10 <sup>1)</sup> | 50.00 W         | 120 V           | 50.00 W       | 1.00                   |                                  | 2800 K            | 100                      |   | 35 °                 | 0.0 s         | 0.00 s              |
| HALOPAR 16 50 W 230 V 35° GU10 <sup>1)</sup> | 50.00 W         | 230 V           | 50.00 W       | 1.00                   | 350 lm                           | 2800 K            | 100                      | 0.75                                    | 35 °                 | 0.0 s         | 0.00 s              |
| HALOPAR 16 50 W 230 V 35° GZ10 <sup>1)</sup> | 50.00 W         | 230 V           | 50.00 W       | 1.00                   | 300 lm                           | 3000 K            | 100                      | 0.75                                    | 35 °                 | 0.0 s         | 0.00 s              |
| HALOPAR 16 50 W 240 V 30° GU10 <sup>1)</sup> | 50.00 W         | 240 V           | 50.00 W       | 1.00                   | 350 lm                           | 2800 K            | 100                      | 0.75                                    | 35 °                 | 0.0 s         | 0.00 s              |

| Product description                          | Dimensions & weight |                | Lifespan               |                      |                            | Additional product data     |                 |              | Capabilities     |
|--|---------------------|----------------|------------------------|----------------------|----------------------------|-----------------------------|-----------------|--------------|------------------|
|  | Diameter            | Overall length | Nominal lamp life time | Rated lamp life time | Number of switching cycles | Base (standard designation) | Mercury content | Mercury-free | Burning position |
| HALOPAR 16 35 W 230 V 35° GU10 <sup>1)</sup> | 51.0 mm             | 53.0 mm        | 2000 h                 | 2000 h               | 50000                      | GU10                        | 0.0 mg          | Yes          | Any              |
| HALOPAR 16 35 W 240 V 35° GU10 <sup>1)</sup> | 51.0 mm             | 53.0 mm        | 2000 h                 | 2000 h               | 50000                      | GU10                        | 0.0 mg          | Yes          | Any              |
| HALOPAR 16 50 W 120 V 35° GU10 <sup>1)</sup> | 51.0 mm             | 53.0 mm        | 2000 h                 | 2000 h               | 1000000                    | GU10                        | 0.0 mg          | Yes          | Any              |
| HALOPAR 16 50 W 230 V 35° GU10 <sup>1)</sup> | 51.0 mm             | 53.0 mm        | 2000 h                 | 2000 h               | 50000                      | GU10                        | 0.0 mg          | Yes          | Any              |
| HALOPAR 16 50 W 230 V 35° GZ10 <sup>1)</sup> | 51.0 mm             | 53.0 mm        | 2000 h                 | 2000 h               | 50000                      | GZ10                        | 0.0 mg          | Yes          | Any              |
| HALOPAR 16 50 W 240 V 30° GU10 <sup>1)</sup> | 51.0 mm             | 53.0 mm        | 2000 h                 | 2000 h               | 50000                      | GU10                        | 0.0 mg          | Yes          | Any              |

| Product description                          | Dimmable | Certificates & standards |                    | Country-specific categorizations |
|--|----------|--------------------------|--------------------|----------------------------------|
|  |          | Energy efficiency class  | Energy consumption | ILCOS                            |
| HALOPAR 16 35 W 230 V 35° GU10 <sup>1)</sup> | Yes      | D                        | 35 kWh/1000h       | HAGS/UB-35-230-GU10-51/35        |
| HALOPAR 16 35 W 240 V 35° GU10 <sup>1)</sup> | Yes      | D                        | 35 kWh/1000h       | HAGS/UB-35-240-GU10-51/35        |
| HALOPAR 16 50 W 120 V 35° GU10 <sup>1)</sup> | Yes      |                          |                    | HAGS/UB-50-120-GU10-51/35        |
| HALOPAR 16 50 W 230 V 35° GU10 <sup>1)</sup> | Yes      | D                        | 50 kWh/1000h       | HAGS/UB-50-230-GU10-51/35        |
| HALOPAR 16 50 W 230 V 35° GZ10 <sup>1)</sup> | Yes      | D                        | 50 kWh/1000h       | HAGS/UB-50-230-GU10-51/35        |
| HALOPAR 16 50 W 240 V 30° GU10 <sup>1)</sup> | Yes      | D                        | 50 kWh/1000h       | HAGS/UB-50-240-GU10-51/30        |

1) Not suitable for outdoor use or damp conditions/Banned from 1.9.2016 as per EU phase-out plan



HALOPAR 16 35 W 230 V 35° GU10,  
 HALOPAR 16 35 W 240 V 35° GU10,  
 HALOPAR 16 50 W 120 V 35° GU10,  
 HALOPAR 16 50 W 230 V 35° GU10,  
 HALOPAR 16 50 W 230 V 35° GZ10,  
 HALOPAR 16 50 W 240 V 30° GU10

HALOPAR 16 35 W 230 V 35° GU10,  
 HALOPAR 16 35 W 240 V 35° GU10,  
 HALOPAR 16 50 W 230 V 35° GU10,  
 HALOPAR 16 50 W 230 V 35° GZ10,  
 HALOPAR 16 50 W 240 V 30° GU10

### APPLICATION ADVICE

For more detailed application information and graphics please see product datasheet.

### LOGISTICAL DATA

| Product code  | Product description            | Packaging unit (Pieces/Unit) | Dimensions (length x width x height) | Volume               | Gross weight |
|---------------|--------------------------------|------------------------------|--------------------------------------|----------------------|--------------|
| 4050300727165 | HALOPAR 16 35 W 230 V 35° GU10 | Shipping carton box<br>20    | 214 mm x 134 mm x 155 mm             | 4.44 dm <sup>3</sup> | 1016.80 g    |
| 4050300727226 | HALOPAR 16 35 W 240 V 35° GU10 | Shipping carton box<br>20    | 257 mm x 130 mm x 111 mm             | 3.71 dm <sup>3</sup> | 1036.80 g    |

| Product code  | Product description            | Packaging unit (Pieces/Unit) | Dimensions (length x width x height) | Volume               | Gross weight |
|---------------|--------------------------------|------------------------------|--------------------------------------|----------------------|--------------|
| 4050300580173 | HALOPAR 16 50 W 120 V 35° GU10 | Shipping carton box<br>20    | 257 mm x 132 mm x 131 mm             | 4.44 dm <sup>3</sup> | 1036.80 g    |
| 4050300580111 | HALOPAR 16 50 W 230 V 35° GU10 | Shipping carton box<br>20    | 208 mm x 132 mm x 160 mm             | 4.39 dm <sup>3</sup> | 1036.80 g    |
| 4052899181090 | HALOPAR 16 50 W 230 V 35° GU10 | Shipping carton box<br>20    | 290 mm x 254 mm x 134 mm             | 9.87 dm <sup>3</sup> | 1063.00 g    |
| 4050300501857 | HALOPAR 16 50 W 230 V 35° GZ10 | Shipping carton box<br>20    | 257 mm x 132 mm x 111 mm             | 3.77 dm <sup>3</sup> | 1036.80 g    |
| 4008321595294 | HALOPAR 16 50 W 240 V 30° GU10 | Shipping carton box<br>20    | 256 mm x 106 mm x 134 mm             | 3.64 dm <sup>3</sup> | 1030.00 g    |
| 4050300580159 | HALOPAR 16 50 W 240 V 30° GU10 | Shipping carton box<br>20    | 230 mm x 130 mm x 165 mm             | 4.93 dm <sup>3</sup> | 1036.80 g    |

The mentioned product code describes the smallest quantity unit which can be ordered. One shipping unit can contain one or more single products. When placing an order, for the quantity please enter single or multiples of a shipping unit.

#### DISCLAIMER

Subject to change without notice. Errors and omission excepted. Always make sure to use the most recent release.