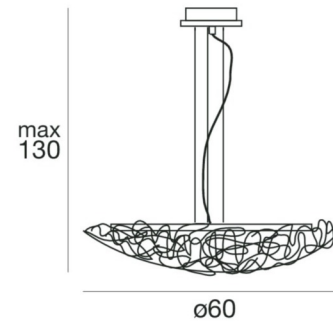


Pendant Luminaires | 220-240 V | 3xG9
4649



Technical data	
Installation position	Ceiling
Installation environment	Indoor
Power	3 x 48
Lamp cap	3 x G9
Frequency	50-60 Hz
Optic	Diff. + Diff.
Light emission direction	downward
Safety class	1
IP	IP20
Glow wire test	850°
Direct mounting on normally flammable surfaces	Yes
CE	Yes
ETL	No
Induzione	No
Emergency mode	No
Motion sensor	No
Directional	No
Tilting	No
Walk-over	No
Drive-over	No
Cable included	No
Resin potting	No

Finishing casing	
Material	Iron
Colour	chrome
Processing	Electroplating

Finishing diffuser	
Material	Glass
Colour	transparent

Finishing mounting frame	
Material	Iron
Colour	chrome
Processing	Electroplating



Pendant Luminaires | 220-240 V | 3xG9
4649

Double emission pendant luminaires for indoor application. Halogen lamp included 48W, lamp cap 3xG9.

The device body is made of iron and features a chrome finish, processed by means of electroplating; the diffuser is made of glass; the mounting frame is made of iron, with a chrome finish, processed by means of electroplating. The ingress protection degree is IP20; the total weight is of 7.180 kg.

The device features protection class I and can be ceiling-mounted.

Illuminotechnical Features

Luminous flux (source)	2220 lm
Colour temperature	2800 K
Colour rendering index	100 Ra